

# Latch stainless steel

DIN 3133



**Material:**

Stainless steel 1.4301.

**Version:**

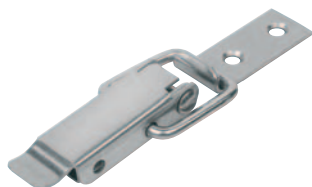
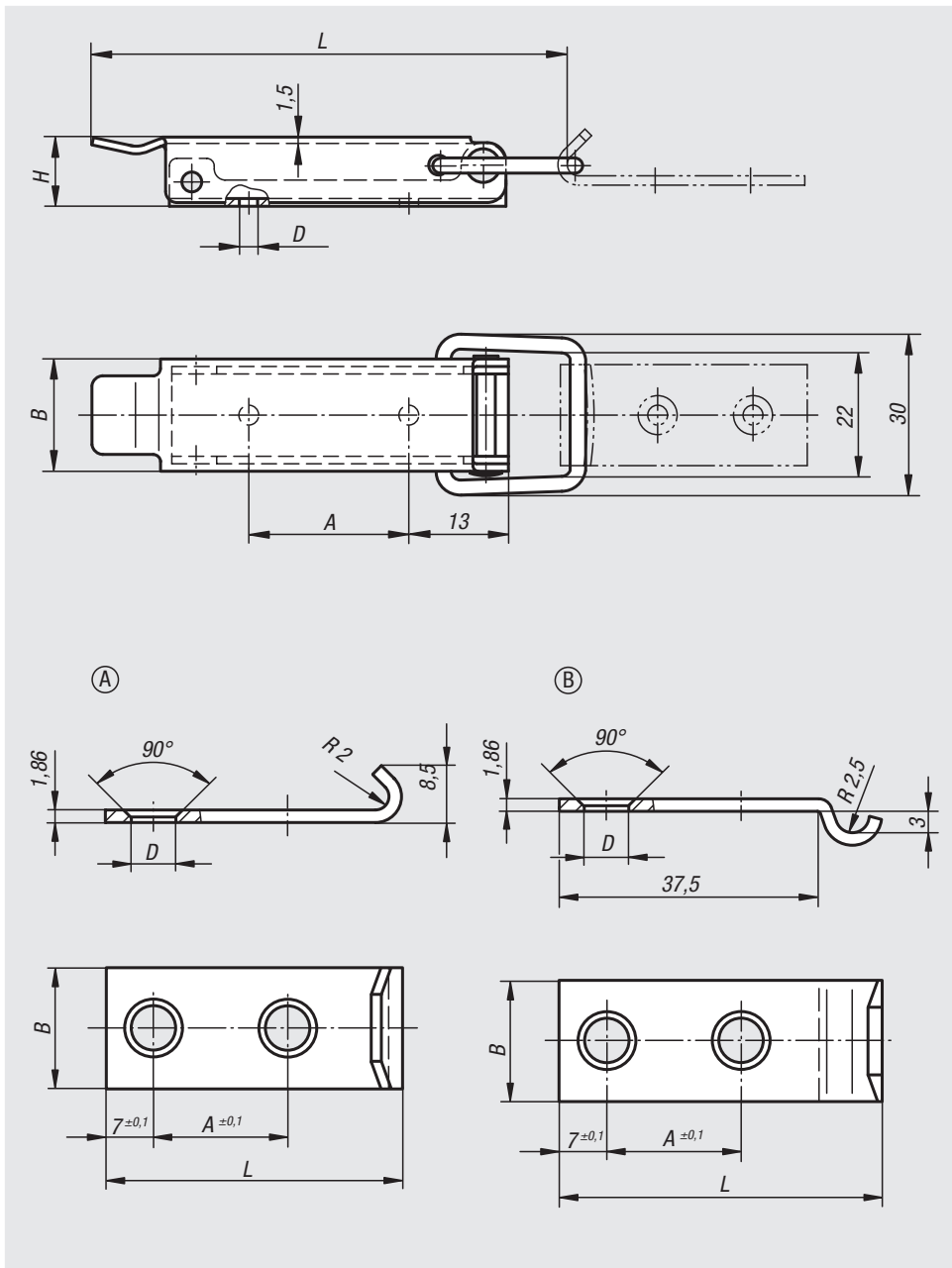
Vibratory ground.

**Sample order:**

nIm Latch 05530-05-350742  
nIm Catch plate 05530-05-91460442

**Note:**

For quickly locking vertical or horizontal lids and hatches.  
With security seal possibility.



## Latch stainless steel DIN 3133

Order No.	L	B	H	A	D
05530-05-350742	70	18	12	22	3,5

## Catch plates

Order No.	Form	L	B	A	D
05530-05-91460442	A	44	18	20	4,8
05530-05-92460482	B	48	18	20	4,8