

Latches

with spring clip



Material:

Steel or stainless steel 1.4301.

Version:

Electro zinc-plated, thick-film passivated and top coat sealed.

Stainless steel, bright.

Sample order:

nIm 05526-1550911 Latch

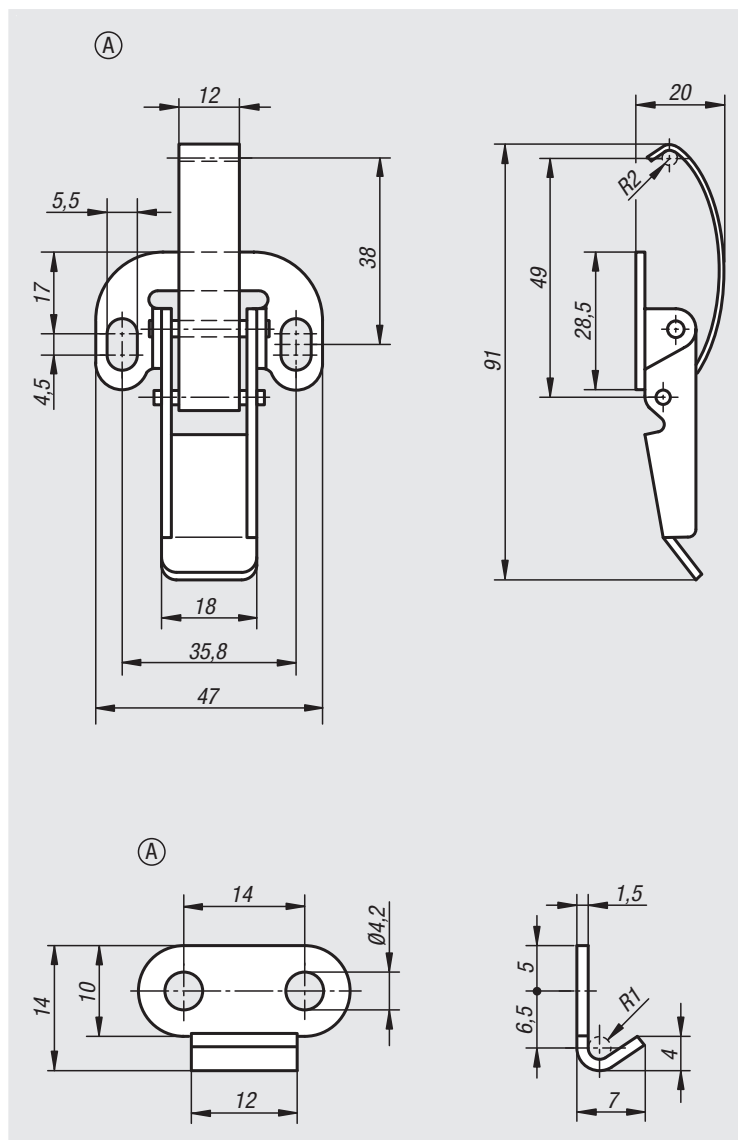
nIm 05526-91420141 Catch plate

Note:

Latches with spring clips for securing and locking hatches, container lids, machine cladding etc. By exceeding the dead centre they resist vibration. The locking force is applied by tensioning a spring clip.

The latches can be screwed down or riveted. We recommend using countersunk screws for fastening the components.

Order catch plates separately.



Latches with spring clip

Order No. steel	Order No. stainless steel	Form
05526-1550911	05526-1550912	A

Catch plate

Order No. steel	Order No. stainless steel	Form
05526-91420141	05526-91420142	A

01000 02000 03000 04000 05000 06000 07000 08000 09000 10000 12000