

Toggle clamps heavy duty version

straight foot

Material:

Steel.

Version:

Black oxidised.

Sample order:

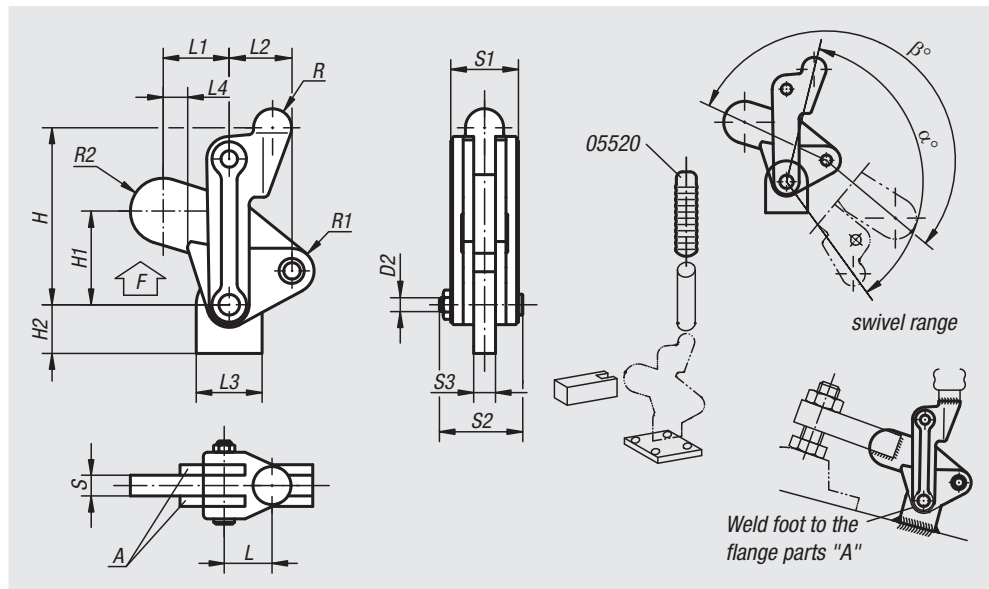
nlm 05420-02

Note:

The hinge pins should be frequently lubricated. When welding the parts it should be ensured that the function of the hinges is not effected.

The toggle clamp can also be welded directly onto a solid base or a base plate. Remove the hinge pin D2 before welding and weld the base of the centre piece onto the base or base plate.

After assembly the bracket "A" should be welded to the centre piece.



Order No.	L	L1	L2	L3	L4	H	H1	H2	D2	S	S1	S2	S3	R	R1	R2	α	β	F kN
05420-02	23	26,5	29	29	1,5	84	38,5	20	8,2	10	32	41	10	10	10	13,5	134°	205°	7
05420-04	25	38	36	38	13	100	54	28	9,5	12	38	48	12	11	13	19	134°	203°	12
05420-06	35	51	44	51	10	129	69	33	12,6	16	50	62	16	15	17	22	132°	200°	24

Plastic grips



Material:

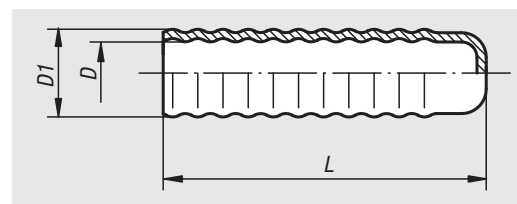
Plastic

Version:

Green

Sample order:

nlm 05520-04



Order No.	L	D	D1
05520-09	80	10	14,6
05520-00	80	12	16,5
05520-01	90	16	21
05520-02	90	19	25
05520-04	100	22	27
05520-06	100	25	29