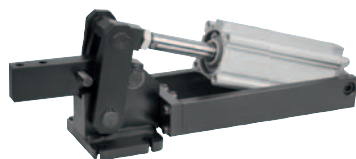


# Pneumatic clamps vertical

heavy-duty version



**Material:**  
Carbon steel.

**Version:**  
Black oxidised.

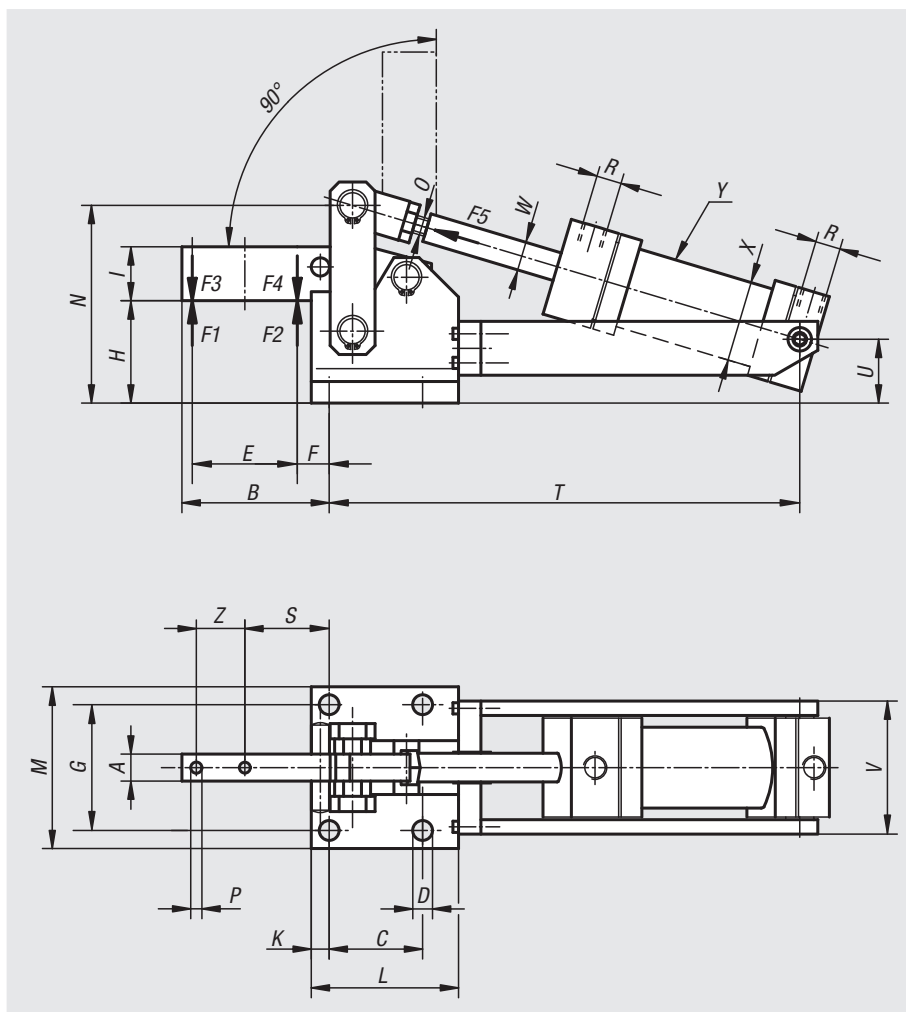
**Sample order:**  
nlm 05350-06

**Note:**  
The double-acting pneumatic cylinder guarantees a long life.  
The fastening screws for the hinges are secured with LOCTITE.  
The magnetic shaft is fitted for electrical end position feedback.

VL = air consumption per cycle in dm<sup>3</sup> by 6 bar.

**Attention:**  
The forces F1 and F2 specified in the table are holding forces.  
F3 and F4 are clamping forces.

**Drawing reference:**  
Y = cylinder travel



Order No.	A	B	C	D	E	F	G	H	I	K	L	M	N	O	P	R	S	T
05350-04	15	82	52	11	54	20	70	57	30	10	77	90	109	M12x1,25	6,2	G1/8	47	277
05350-06	20	90	55	11	60	21	83	61	40	11	85	105	129	M16x1,5	8,2	G1/4	53	315
05350-08	30	128	80	13	95	22	111	86	60	12,5	112,5	135	176	M16x1,5	13,2	G1/4	69,5	383

Order No.	U	V	W	X	Y	Z	total height	total length	F1 kN	F2 kN	F3 kN	F4 kN	F5 kN	VL
05350-04	35,5	82	16	40	80	27	122	380	6	9	1,5	2,2	0,75	1
05350-06	40	100	16	50	100	26	147	435	12	18	2,5	3,5	1	1,8
05350-08	54	123	20	63	120	40	196	540	20	30	4	6	1,8	4,3