

Adapter plates

round



Material:
Steel.

Version:
Electro zinc-plated and trivalent blue passivated.

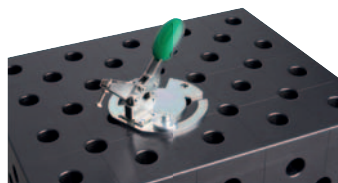
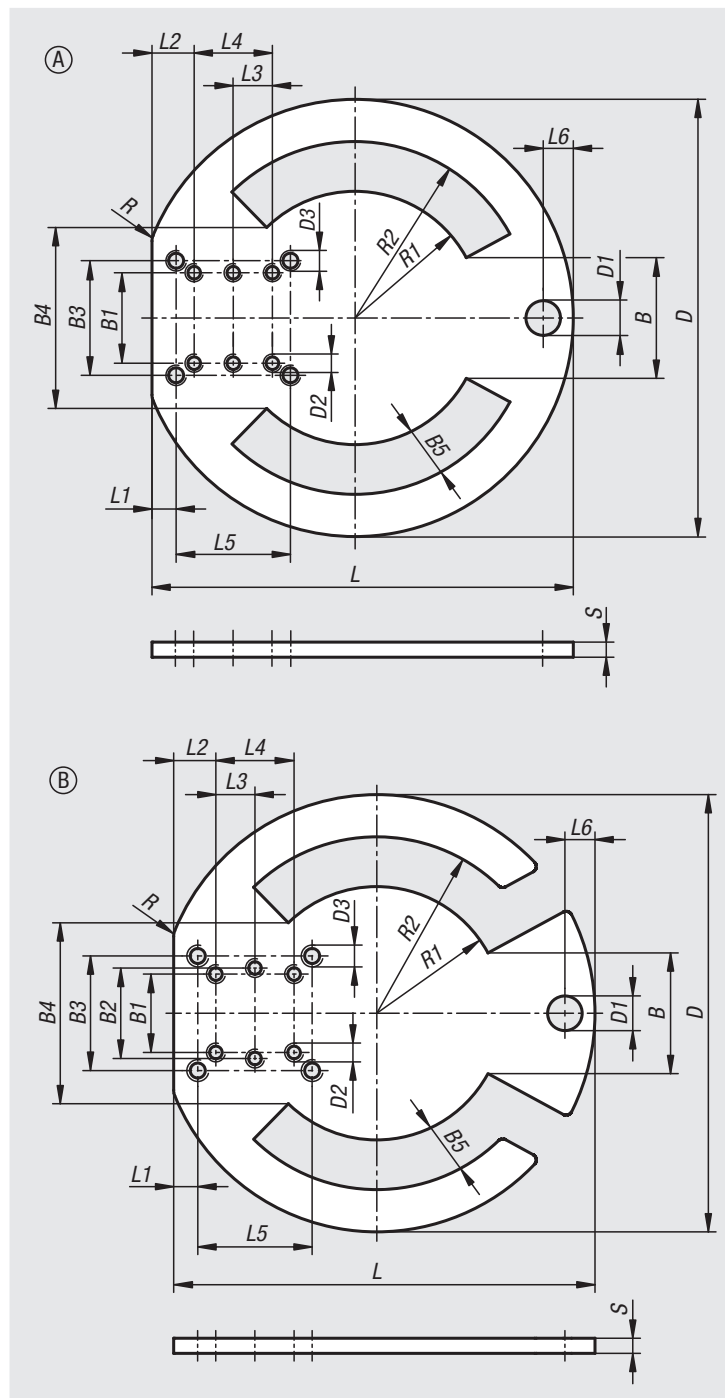
Sample order:
nlm 05312-145

Note:
Adapter plates can be used in combination with toggle clamps. They enable toggle clamps to be positioned flexibly.
The adapter plates are clamped to the machine table using eccentric clamp modules.

Advantages:
Flexible movement and positioning.
Flexible height construction using the adapter block.
Easy assembly through the opening in Form B.

Accessories:
Eccentric clamp modules 10500
Toggle clamp 05....

Drawing reference:
Form A: closed
Form B: open



Order No.	Form	Version 2	B	B1	B2	B3	B4	B5	D	D1	D2	D3	L	L1	L2	L3	L4	L5	L6	R	R1	R2	S
05312-145	A	closed	40	30	-	38	60	16,5	145	11,5	M5	M6	140	8	14	13	26	38	10	5	42	58,5	5
05312-1145	B	open	40	30	30	38	60	16,5	145	11,5	M5	M6	140	8	14	13	26	38	10	5	42	58,5	5