

Toggle clamps variable

with thrust rod



Material:

Steel.
Grip made of 2-component plastic.

Version:

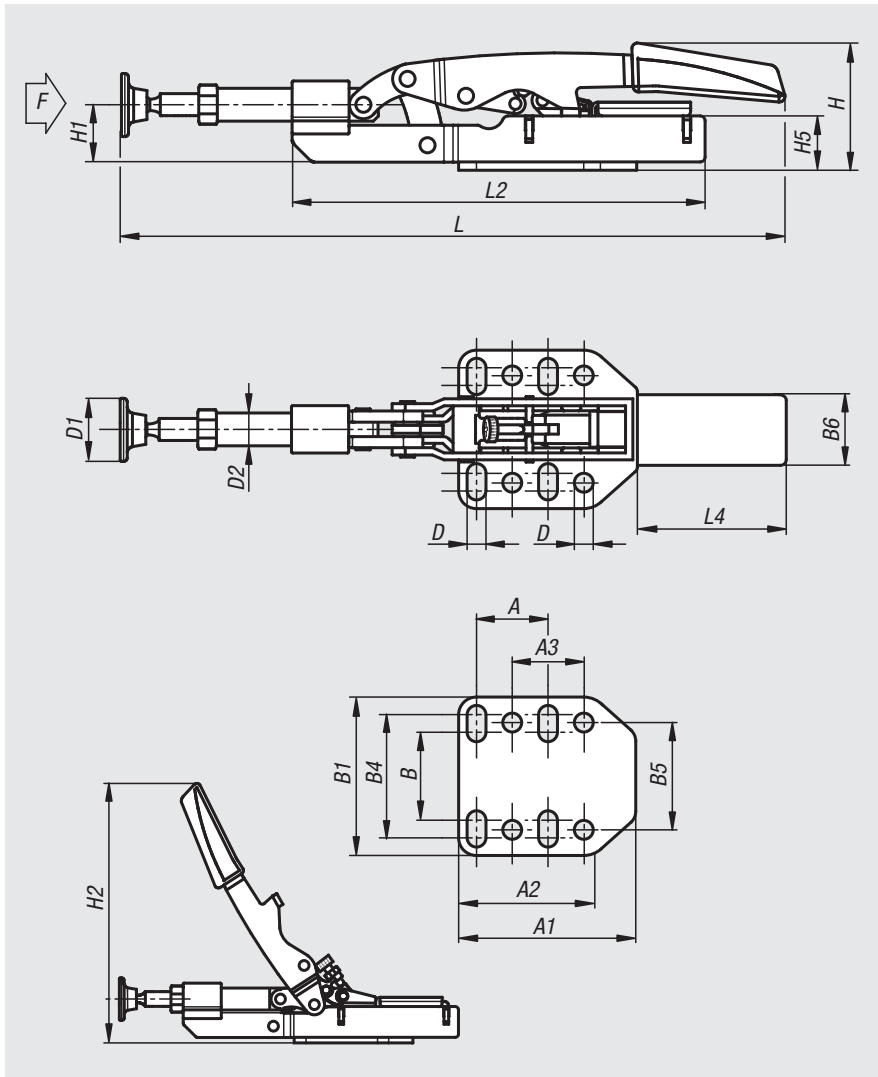
Tempered and electro zinc-plated.
Grip element oil-resistant.

Sample order:

nIm 05305-035

Note:

The toggle clamp adjusts automatically to the height of the workpiece. Infinitely adjustable clamping height within 13 mm with approximately constant clamping force without manual adjustment of thrust screw position.
The clamping force can be adjusted up to 2500 N according to requirements using a set screw under the lever in the hinge.
The hole pattern in the baseplate is suitable for millimetres and inches.



Order No.	A	A1	A2	A3	B	B1	B4	B5	B6	D	D1	D2	H	H1	H2	H5	L	L2	L4	max. clamping height	F kN
05305-035	25,4	53	38	25,4	33	60	48	38	32	6,5	23	12	46	27	155	25	233	154	73	35	2,5

01000
02000
03000
04000
05000
06000
07000
08000
09000
10000
12000