

Toggle clamps variable vertical

with horizontal foot



Material:

Steel.
Grip made of 2-component plastic.

Version:

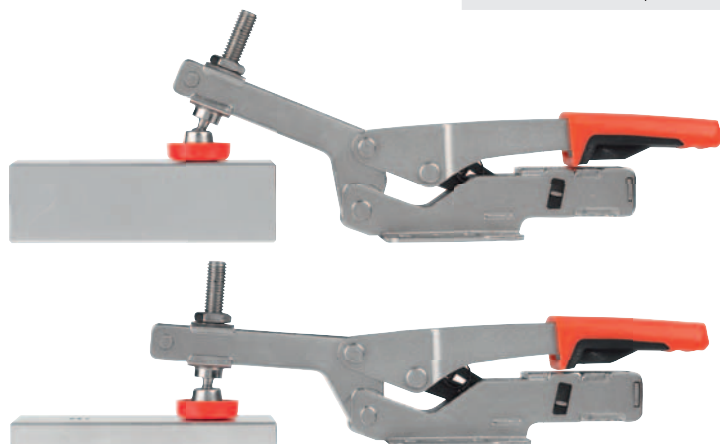
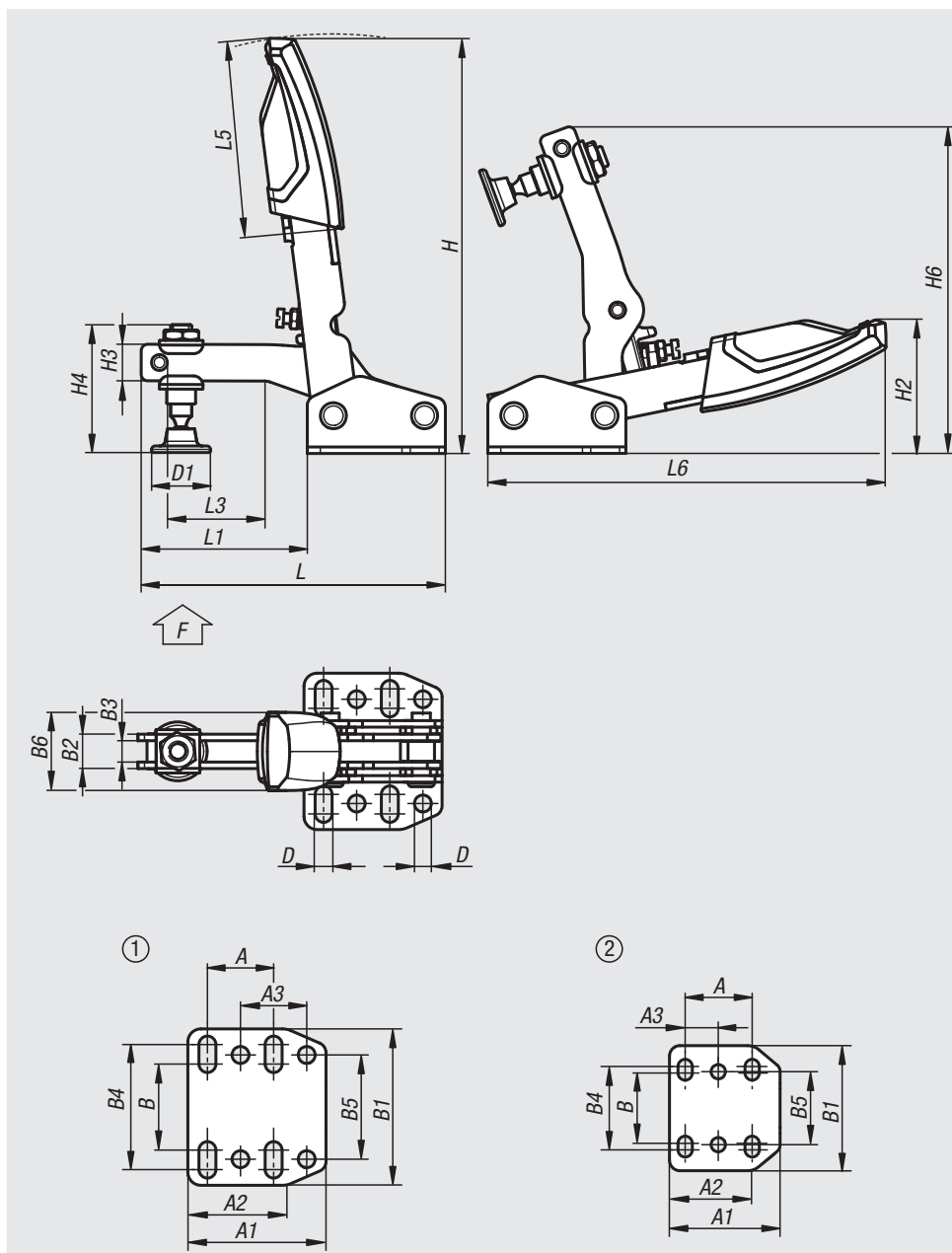
Tempered and electro zinc-plated.
Grip element oil-resistant.

Sample order:

nIm 05302-035

Note:

The toggle clamp adjusts automatically to the height of the workpiece. Infinitely adjustable clamping height within 35 mm with approximately constant clamping force without manual adjustment of thrust screw position. The clamping force can be adjusted up to 2.500 N according to requirements using a set screw under the lever in the hinge. The hole pattern in the baseplate is suitable for millimetres and inches.



Order No.	hole arrangement	A	A1	A2	A3	B	B1	B2	B3	B4	B5	B6	D	D1	H	H2	H3	H4	H6	L	L1	L3	L5	L6	max. clamping height	F kN
05302-035	2	25,7	42,4	32,4	12,7	27	48	10	6	32	28	24	5,5	19	129	41	10	42	100	93,7	51,3	30	60	123	35	1,1
05302-040	1	25,4	53	38	25,4	33	60	13	8	48	40	30	6,5	25	160	62	14	60	126	116	63	40	76	154	40	2,5