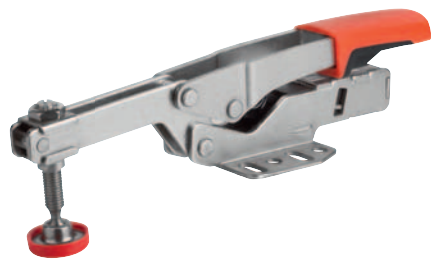


# Toggle clamps variable horizontal

with horizontal foot



**Material:**

Steel.  
Grip made of 2-component plastic.

**Version:**

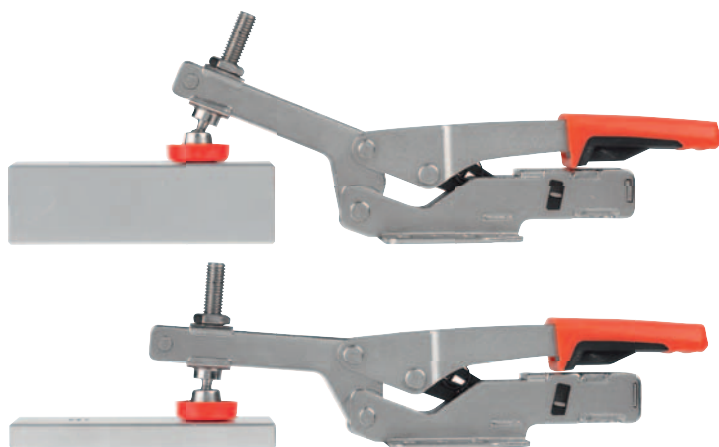
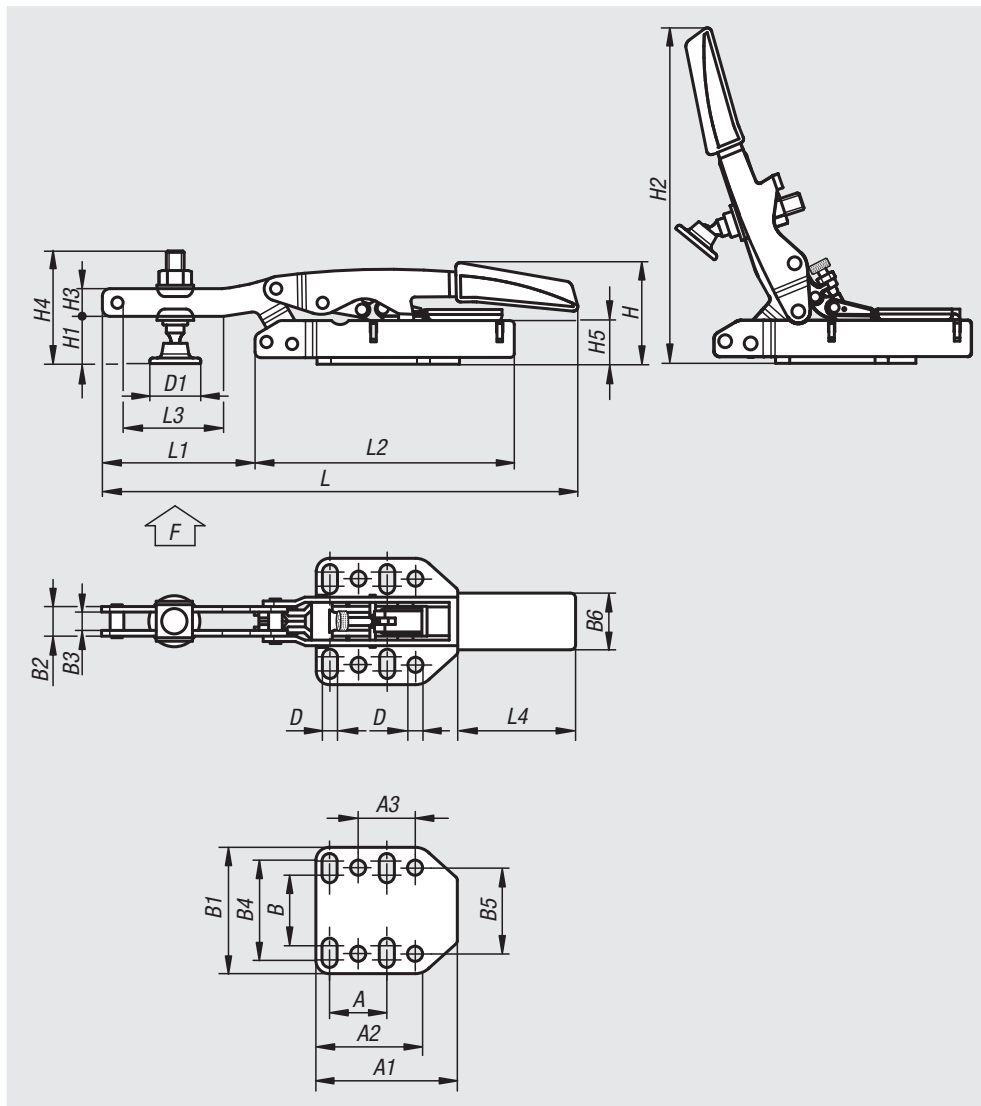
Tempered and electro zinc-plated.  
Grip element oil-resistant.

**Sample order:**

nIm 05300-040

**Note:**

The toggle clamp adjusts automatically to the height of the workpiece. Infinitely adjustable clamping height within 35 mm with approximately constant clamping force without manual adjustment of thrust screw position. The clamping force can be adjusted up to 2.500 N according to requirements using a set screw under the lever in the hinge. The hole pattern in the baseplate is suitable for millimetres and inches.



Order No.	A	A1	A2	A3	B	B1	B2	B3	B4	B5	B6	D	D1	H	H1	H2	H3	H4	H5	L	L1	L2	L3	L4	max. clamping height	F kN
05300-040	25,4	53	38	25,4	33	60	13	8	48	38	32	6,5	24,5	47	20	158	14	60	27	217	77	113	58	72	40	2,5
05300-060	25,4	53	38	25,4	33	60	13	8	48	38	32	6,5	24,5	64	36	175	14	68	44	217	77	113	58	72	60	2,5

01000  
02000  
03000  
04000  
05000  
06000  
07000  
08000  
09000  
10000  
12000