

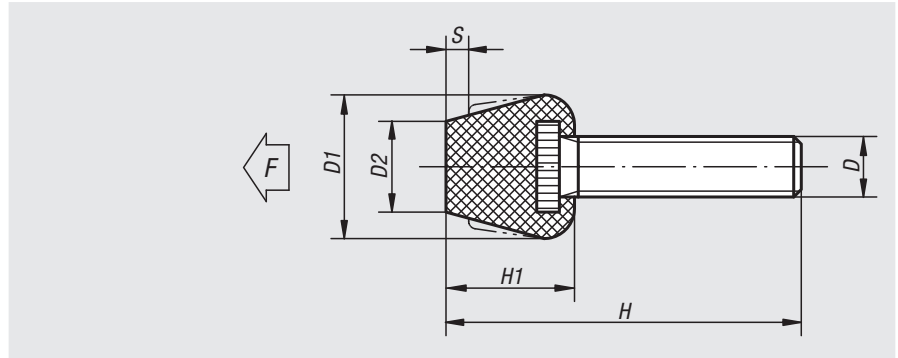
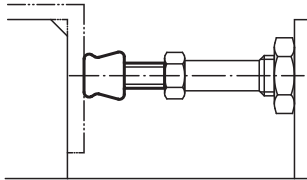
Thrust screws neoprene



Material:
Screw steel.
Thrust pad neoprene.

Version:
Neoprene pad moulded onto screw end.
Screw copper-plated.

Sample order:
nlm 05260-08



Order No.	H	H1	D	D1	D2	S max.	F max. N
05260-08	63	17	M8 x 46	19	12	3	750
05260-081	43	17	M8 x 26	19	12	3	750
05260-10	80	19	M10 x 61	19	14	3,5	1000
05260-101	55	19	M10 x 36	19	14	3,5	1000

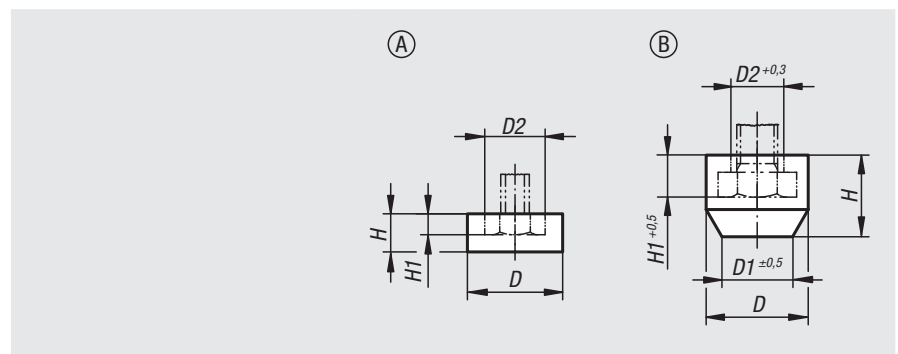
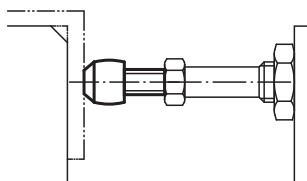
Protective caps



Material:
Neoprene or Polyamide.

Version:
Neoprene black, oil resistant, Shore hardness 75A.
Polyamide white.

Sample order:
nlm 05280-03



Order No.	Form	Main material	D	D1	D2	H	H1	for screws
05280-06	A	polyamide	9	-	6,6	4	2,3	M3
05280-01	B	neoprene	11	6,6	5,5	8,5	4	M4
05280-02	B	neoprene	12,5	7,3	6,5	10	4,7	M5
05280-03	B	neoprene	15	9,9	8,5	12	5,8	M6
05280-04	B	neoprene	19	12,7	11	15	7,1	M8
05280-07	B	neoprene	23	15	14,5	18	9	M10
05280-05	B	neoprene	26	19	16,5	20	10	M12