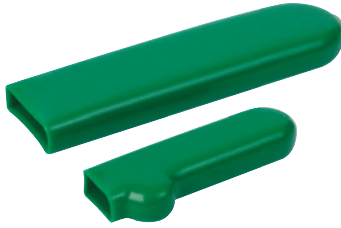


Plastic grips



Material:

Plastic

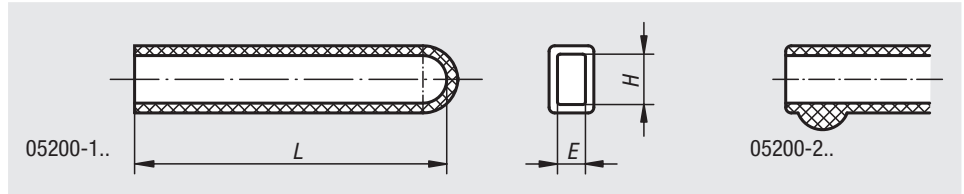
Version:

Oil-resistant

Sample order:

nIm 05200-130 (with boss)

05200-210 (without boss)



Order No.	L	H	E
05200-100	33	9	4
05200-105	43	11	6
05200-110	55	12	5
05200-115	55	14	6
05200-120	75	16	7
05200-125	90	16	4
05200-130	85	19	6
05200-135	90	20	8
05200-140	115	30	9
05200-145	120	20	8
05200-200	33	8	4
05200-205	48	12	6
05200-210	65	14	6
05200-215	90	16	7
05200-220	120	20	8

Thrust spindles spring mounted



Material:

Screw and clamping plates steel.

Nut steel.

Spring class C spring wire.

Version:

Screw and clamping plates electro zinc-plated.

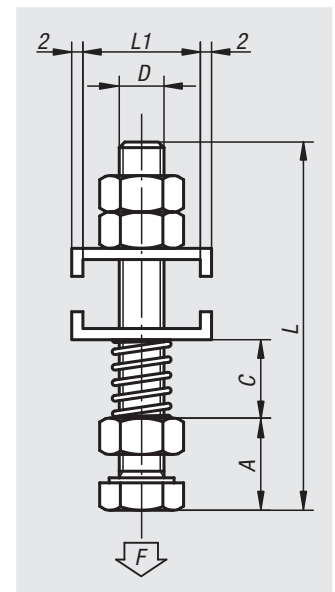
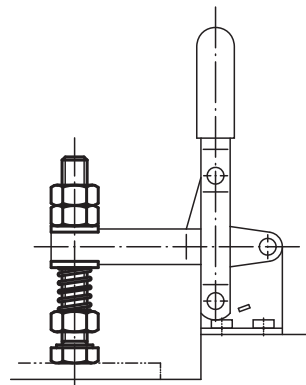
Nut black oxidised.

Sample order:

nIm 05220-10

Note:

For use with 05020, 05040, 05060, 05120 and 05130.



Order No.	L	L1	D	A	C min.	C max.	F max. N
05220-08	65,5	16	M8x60	12	9	30	25
05220-10	87,5	20,5	M10x80	15	14	35	35