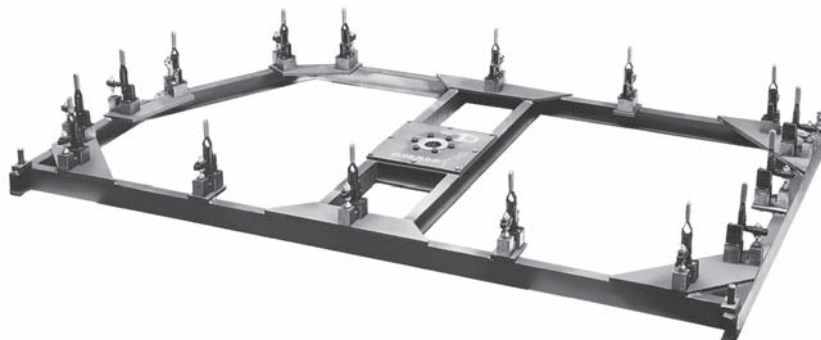


# Application: welding fixture with norelem toggle clamps



**05160**

## Toggle clamps horizontal

with push rod



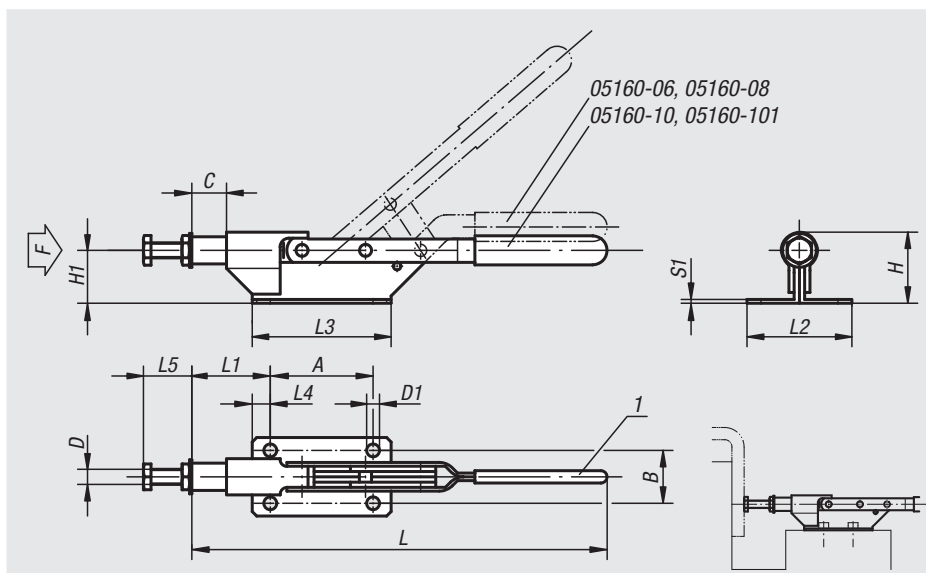
**Material:**  
Steel plate DD11 1.0332.

**Version:**  
Steel parts electro zinc-plated.  
Hinge pins tempered.  
Plastic handle oil-resistant.

**Sample order:**  
nlm 05160-10

**Note:**  
The 05160-06 and 05160-08 versions have a swan-necked clamping lever.  
See 05200 – 05280 for accessories.

**Drawing reference:**  
1) plastic grip 05200



Order No.	L	L1	L2	L3	L4	L5 min.	L5 max.	B	H	H1	A	C (travel)	D	D1	S1	F kN	Plastic grips
05160-06	178	40	40	75	10	13	23	28	33	26,2	55	15	M6	6	2	1	05200-110
05160-08	255	49	45	85	12,5	14	26	30	42	31,5	60	22	M8	6,5	2,5	2	05200-125
05160-10	275	52	52	92	12	25	35	35	47	35,5	68	22	M10	8,5	2,5	3	05200-125
05160-101	300	62	58	100	12,5	25	36	40	59	50	75	26	M10	9	3	4	05200-135