

Toggle hook clamps

and catch plate



Material:

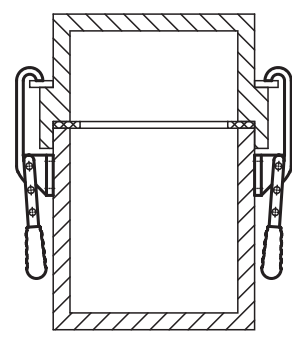
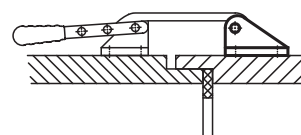
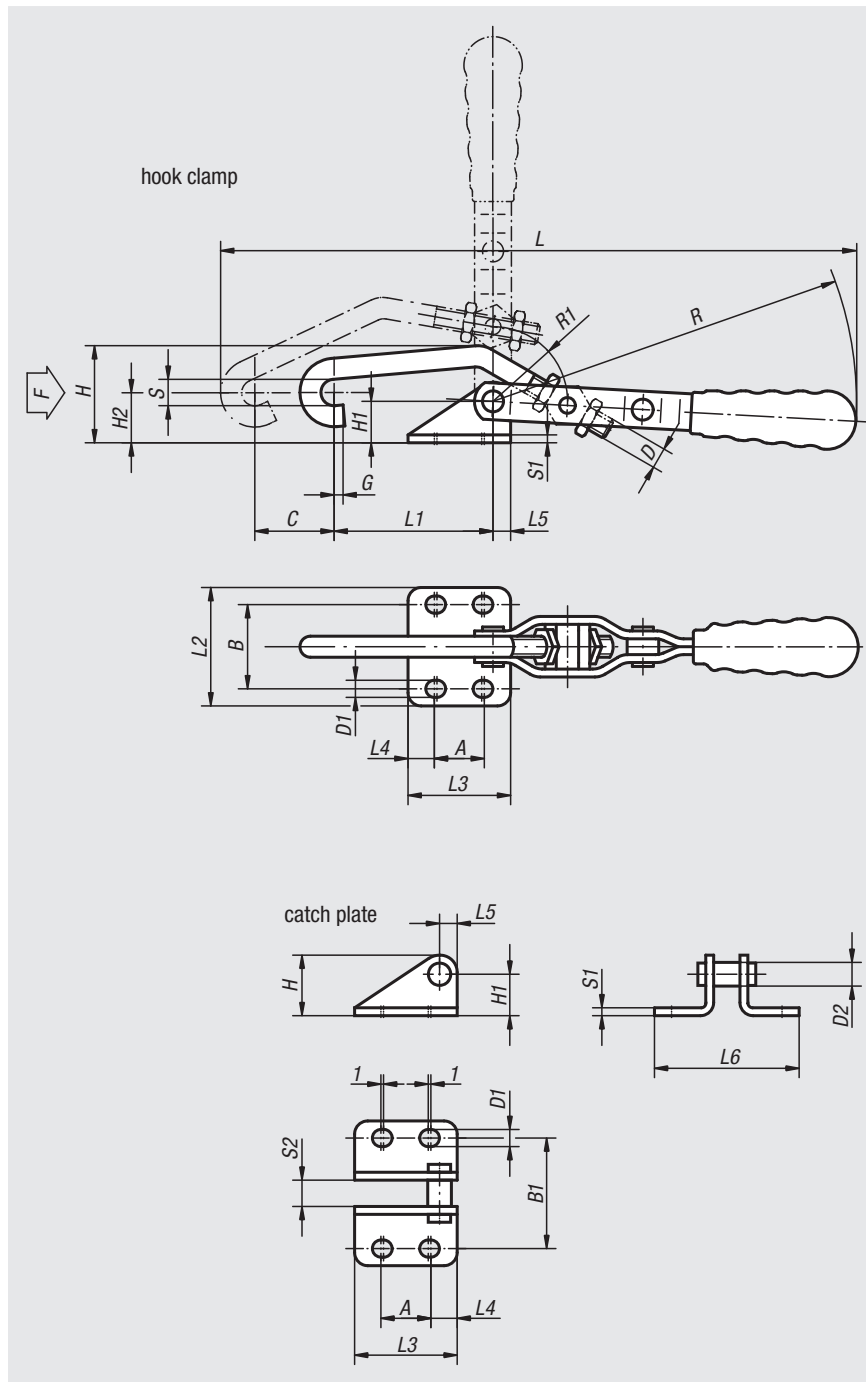
Lever, foot and catch plate steel plate DD11 1.0332.
Hinge pins and hook carbon steel 1.0501.

Version:

Steel parts electro zinc-plated.
Hinge pins and hook tempered.
Grip plastic, oil-resistant.

Sample order:

nIm 05080-01 (hook clamp)
nIm 05080-011 (catch plate)



Toggle hook clamps

Order No.	L	L1	L2	L3	L4	L5	B	H	H1	H2	A min.	A max.	C	D	D1	G	R	R1	S	S1	F kN	Plastic grips
05080-01	231	60	45	39	10	7	32	36	16	17	17	19	25	M8	6,5	3	151	29	10	3	1	05200-115
05080-03	349	90	68	50	9	10	45	64	30	31	30	32	30	M12	8,5	5	215	36,5	14	4	3	05200-135

Catch plate

Order No.	L3	L4	L5	L6	B1	H	H1	A min.	A max.	D1	D2	S1	S2
05080-011	39	10	7	55	42	23	16	17	19	6,5	9	3	10
05080-031	50	9	10	82	59	40	30	30	32	8,5	13	4	14

01000
02000
03000
04000
05000
06000
07000
08000
09000
10000
12000