

Toggle clamps vertical

with straight foot



Material:

Steel plate DD11 1.0332.

Version:

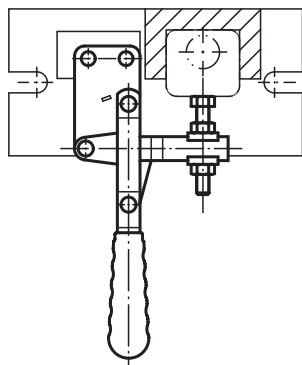
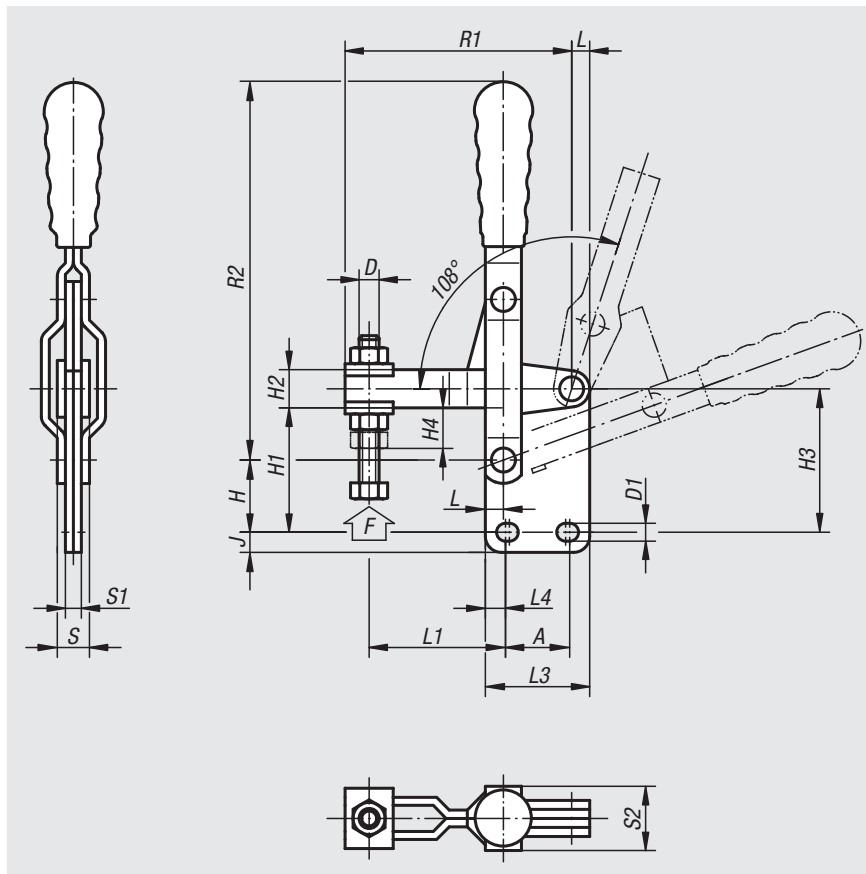
Steel parts electro zinc-plated.
Hinge pins tempered.
Plastic handle oil-resistant.

Sample order:

nIm 05040-12

Note:

See 05200 – 05280 for accessories.



Order No.	L	L1 min.	L1 max.	L3	L4	H	H1	H2	H3	H4	A min.	A max.	D	D1	J	R1	R2	S	S1	S2	F kN	Plastic grips
05040-05	4,5	16	35	26	5	18	31	9,5	36	10	14	16	M5x35	4,5	5	56,5	96	10,5	4	16	0,8	05200-100
05040-06	5,5	23	46	32	9	21	37	11,5	43	11	12	14	M6x50	5,5	5,5	70,5	121	13,5	6	23	1	05200-105
05040-08	7	27	55	39	9	26,5	45,5	14	52,5	14	19	21	M8x50	6,5	6,5	86	143	16	6	23	2,3	05200-115
05040-10	8	33	74	43	7,5	33	52	18	61	18	26	28	M10x70	8,5	9	110	177	18	7	26	3,5	05200-120
05040-12	10	45	100	50	9	41	61	22	72	21	32	32	M12x80	8,5	11,5	140	215	23	8	30	4,6	05200-135

Toggle clamps vertical

with straight foot and full clamping lever



Material:

Steel plate DD11 1.0332.

Version:

Steel parts electro zinc-plated.
Hinge pins tempered.
Plastic handle oil-resistant.

Sample order:

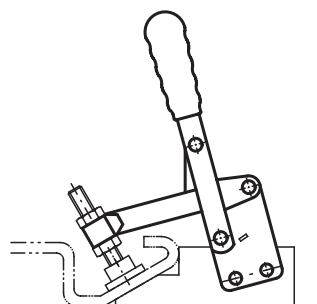
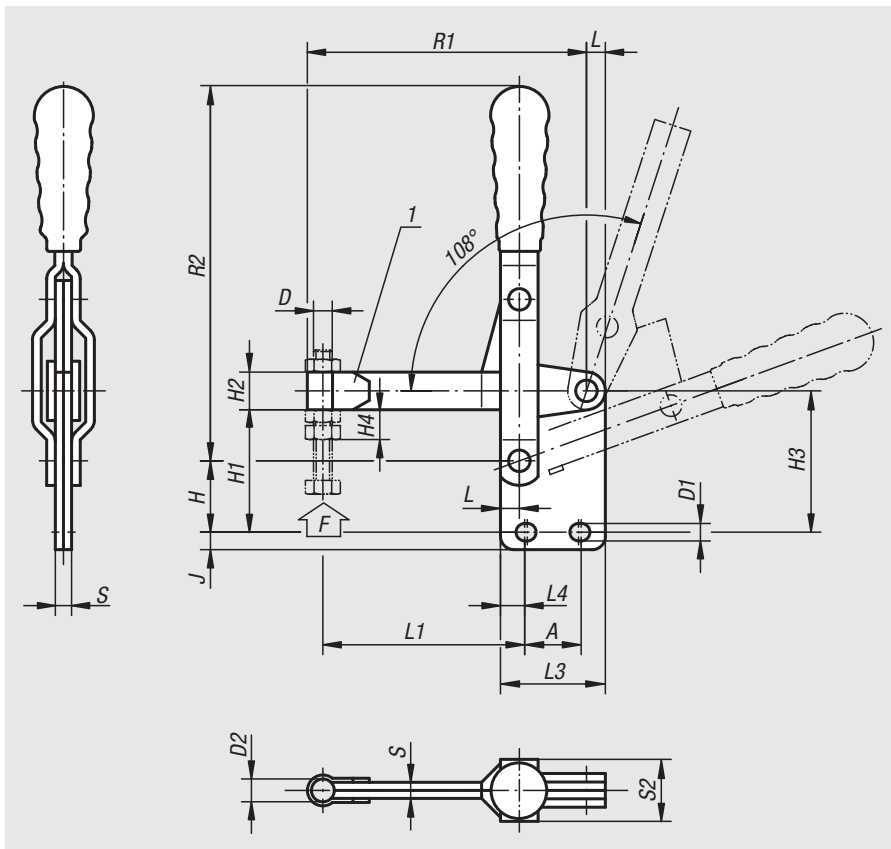
nIm 05040-121

Note:

Screws not supplied.
See 05200 – 05280 for accessories.

Drawing reference:

1) Weldable



Order No.	L	L1	L3	L4	H	H1	H2	H3	H4	A	A	D	D1	D2	J	R1	R2	S	S2	F	Plastic grips
										min.	max.									kN	
05040-081	7	75	39	9	26,5	45,5	14	52,5	12	19	21	M8	7	8,5	6,5	103	143	6	23	2,2	05200-115
05040-101	8	92	43	7,5	33	52	18	61	16	26	28	M10	8,5	10,5	9	125	177	7	26	3,4	05200-120
05040-121	10	122	50	9	41	61	22	72	19	32	32	M12	8,5	12,5	11,5	159	215	8	30	4,5	05200-135

01000
02000
03000
04000
05000
06000
07000
08000
09000
10000
12000