

Toggle clamps vertical

with horizontal foot

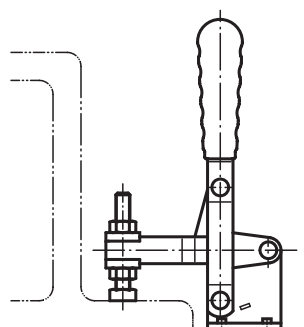
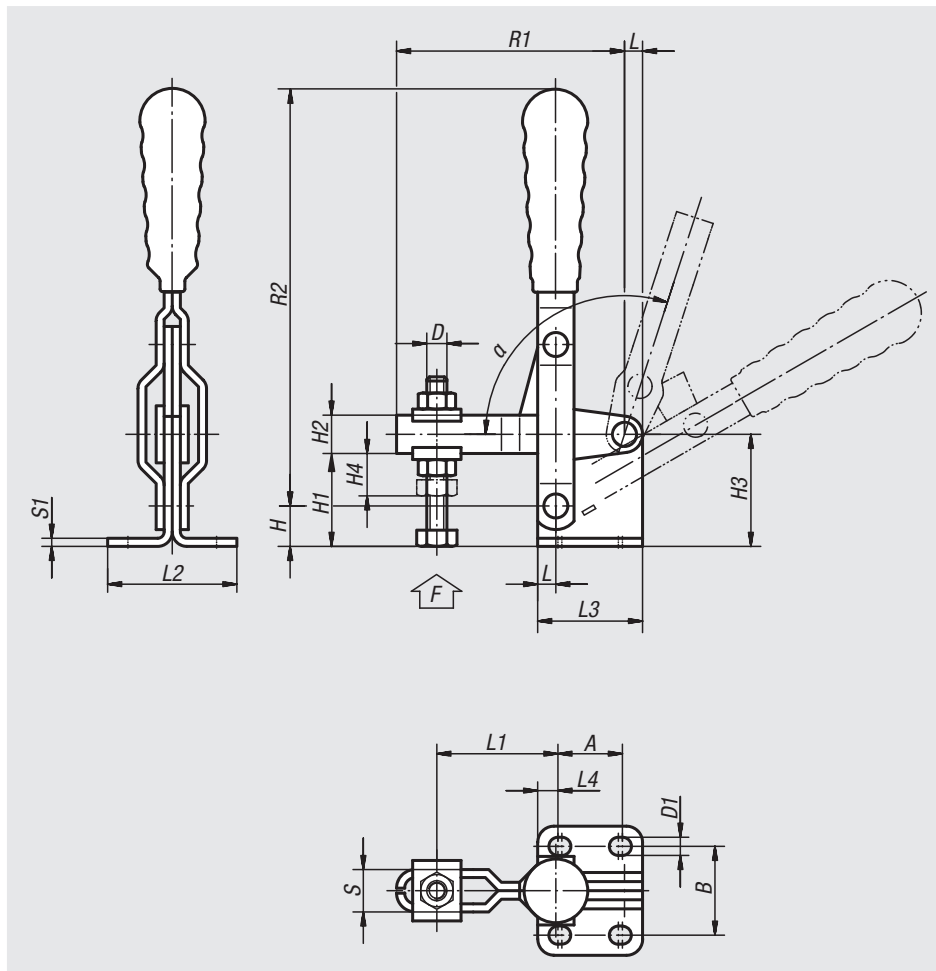


Material:
Steel plate DD11 1.0332.

Version:
Steel parts electro zinc-plated.
Hinge pins tempered.
Plastic handle oil-resistant.

Sample order:
nlm 05020-08

Note:
See 05200 – 05280 for accessories.



Order No.	L	L1 min.	L1 max.	L2	L3	L4	B	H	H1	H2	H3	H4	A min.	A max.	D	D1	R1	R2	S	S1	F kN	α	Plastic grips
05020-05	4,5	16	35	32	26	5	22	10	23	9,5	28	10	14	16	M5x35	4,5	56,5	96	10,5	2	0,8	108°	05200-100
05020-06	5,5	23	46	38	32	9	27	13	29	11,5	35	11	12	14	M6x50	5,5	70,5	121	13,5	3	1	108°	05200-105
05020-08	7	27	55	45	39	9	32	16	35	14	42	14	19	21	M8x50	6,5	86	143	16	3	2,3	108°	05200-115
05020-10	8	33	74	56	43	7,5	38	20	39	18	48	18	26	28	M10x70	8,5	110	177	18	3,5	3,5	108°	05200-120
05020-12	10	45	100	68	50	9	45	25	45	22	56	21	32	32	M12x80	8,5	140	215	23	4	4	90°	05200-135

Toggle clamps vertical

with horizontal foot and full clamping lever



Material:

Steel plate DD11 1.0332.

Version:

Steel parts electro zinc-plated.

Hinge pins tempered.

Plastic handle oil-resistant.

Sample order:

nIm 05020-101

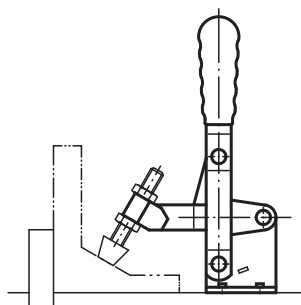
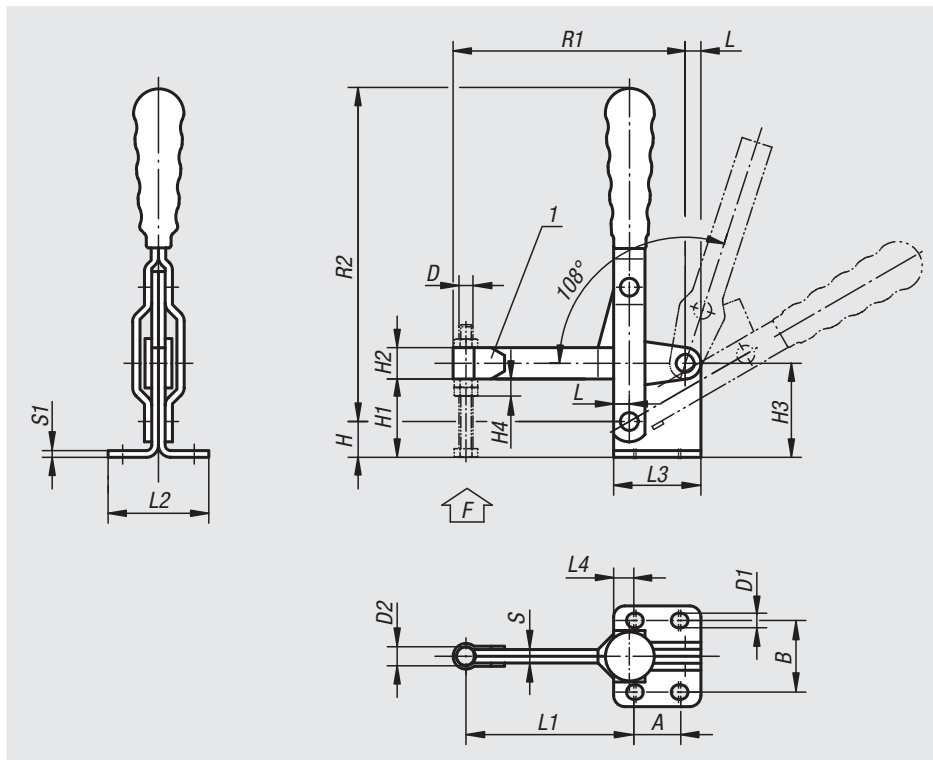
Note:

Screws not supplied.

See 05200 – 05280 for accessories.

Drawing reference:

1) Weldable



Order No.	L	L1	L2	L3	L4	B	H	H1	H2	H3	H4	A min.	A max.	D	D1	D2	R1	R2	S	S1	F kN	Plastic grips
05020-081	7	75	45	39	9	32	16	35	14	42	12	19	21	M8	6,5	8,5	103	143	6	3	2,2	05200-115
05020-101	8	92	56	43	7,5	38	20	39	18	48	16	26	28	M10	8,5	10,5	125	177	7	3,5	3,4	05200-120
05020-121	10	122	68	50	9	45	25	45	22	56	19	32	32	M12	8,5	12,5	159	215	8	4	4,5	05200-135

Toggle clamps vertical

with horizontal foot, large version



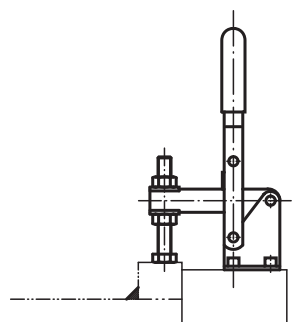
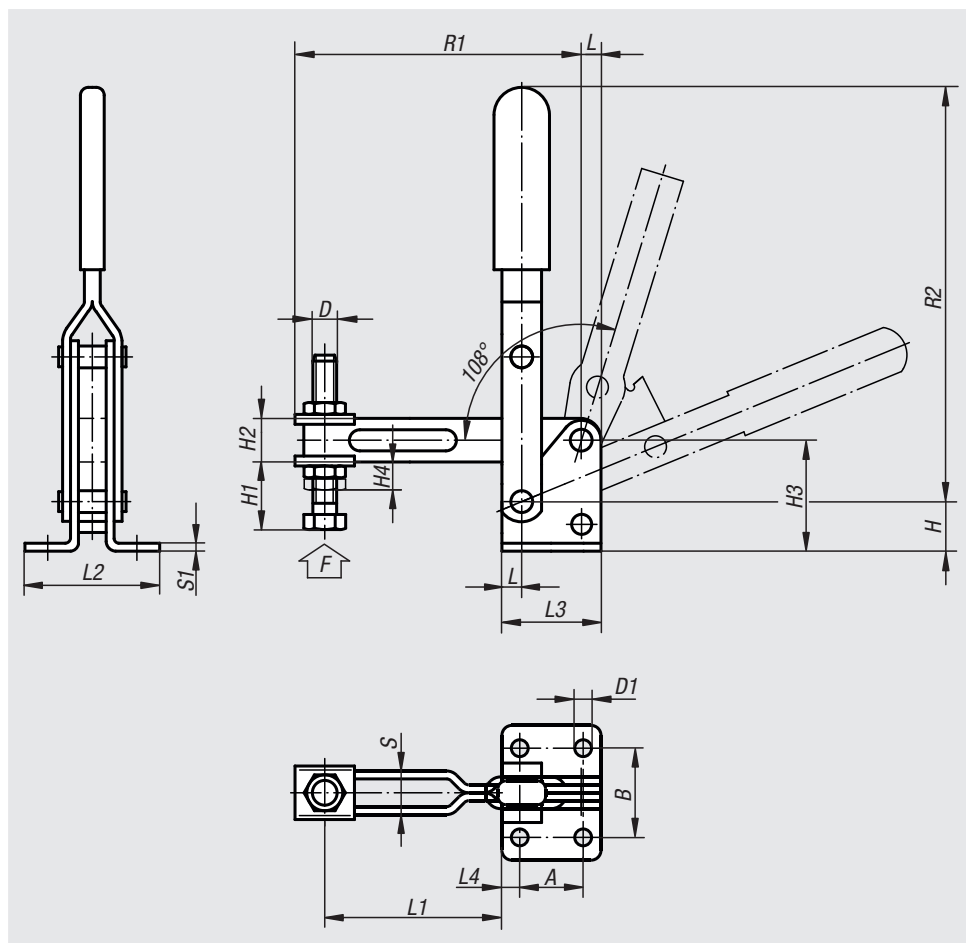
Material:
Steel plate DD11 1.0332.

Version:
Steel parts electro zinc-plated.
Hinge pins tempered.
Plastic handle oil-resistant.

Sample order:
nlm 05020-14

Note:
See 05200 – 05280 for accessories.

Drawing reference:
1) plastic grip 05200



Order No.	L	L1 min.	L1 max.	L2	L3	L4	B	H	H1	H2	H3	H4	A	D	D1	R1	R2	S	S1	S3	F kN	Plastic grips
05020-14	10	50	165	73	60	10	52	35	62,5	25	75	21	40	M14x90	8,5	225	230	25	4	34	4,6	05200-135
05020-16	15	55	215	100	90	20	70	58	101	30	116	27	50	M16x140	12,5	300	305	30	5	44	6	05200-140

01000
02000
03000
04000
05000
06000
07000
08000
09000
10000
12000