

Clamping pin, steel or stainless steel

with clamping angle



Material:

Handle die-cast zinc acc. to DIN EN 12844.

Clamping angle die-cast zinc.

Wedges steel 1.0715 or stainless steel 1.4305.

Version:

Handle black, plastic coated.

Wedges black oxidised or blank.

Sample order:

nIm 04755-016

Note:

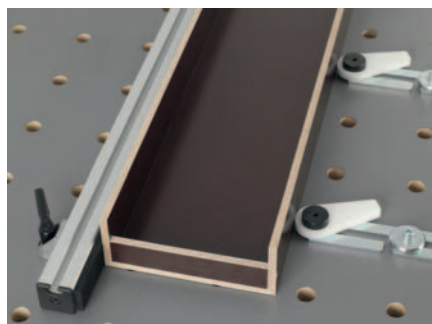
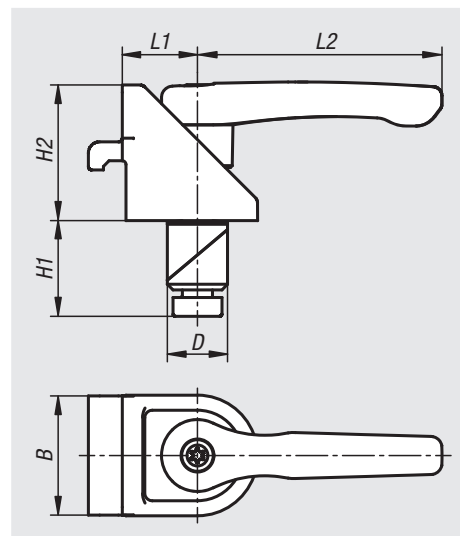
The clamping angles are suitable for fixating aluminium profiles on to grid hole tables or plates with $\varnothing 16$ mm, $\varnothing 20$ mm or $\varnothing 28$ mm holes, e.g. an end stops. Loosen the clamping lever to retract the wedges and enable free rotation and movement. Clamping pins with clamping angles are mostly used in pairs.

Advantages:

Functions also in thin table material (metal: ≥ 8 mm or ≥ 4 mm ; wood ≥ 18 mm).

Gentle clamping in the bore.

Tool-less operation.



Order No.	Main material	B	D	H1	H2	L1	L2
04755-016	steel	32	16	25	36	20	65
04755-120	stainless steel	32	20	21	36	20	65
04755-028	steel	32	28	36	36	20	65