

Clamp nuts with star or T-grip


Material:

Housing high-carbon steel.
Cap aluminium.
Star grip and T-grip thermoplastic.

Version:

Carbonitrided; star and T-shaped grips: black

Sample order:

nIm 04751-4010

Note:

The clamp nut with star or T-grip are an improvement based on the tried and tested clamp nut 04750. A star or T-grip replaces the operating hexagon and an added indexing mechanism complements it. An integrated planetary gear serves as the force multiplier, the indexing mechanism triggers the automatic switch from the placing movement to the actual application of force. As a result, considerable clamping forces can be achieved with the simplest manual operation, with no additional ring or socket spanner. The robust construction and self-limiting function guarantee a high level of operating safety. Clamp nuts are used far beyond mechanical engineering for purposes in which high tension and clamping forces are required with the least possible expense. Clamp nuts are maintenance-free under normal operating conditions (max. 120 °C).

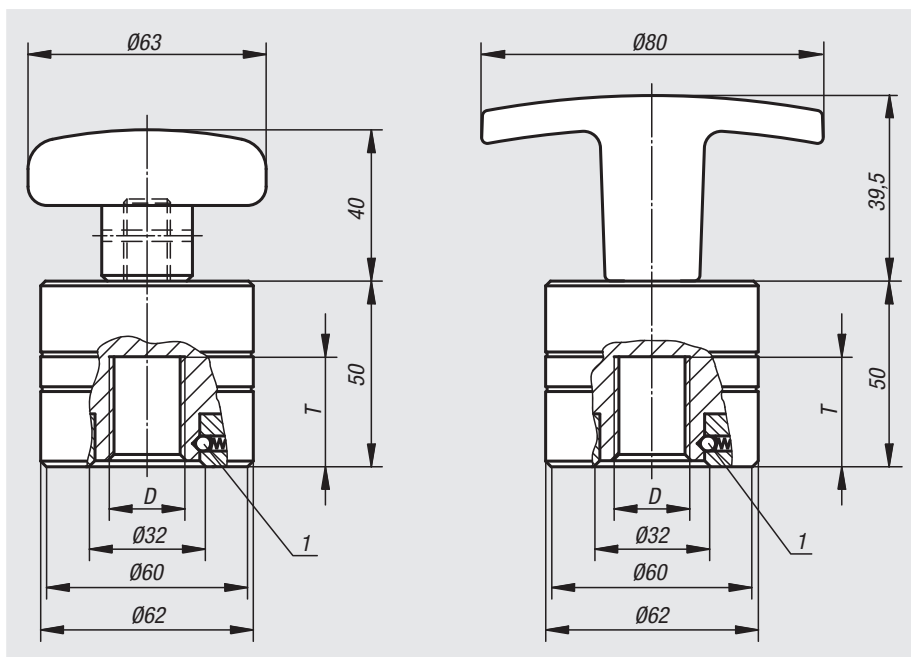
The threaded bolt must have a minimum grade 10.9. With thread diameters less than M16, bolts grade 12.9 should be used or the maximum admissible static load must be reduced.

Advantages:

- simple, manual operation.
- high tension forces due to force reinforcement.
- rapid adjustment due to automatic conversion.
- high-level operating safety due to self-limitation.

Drawing reference:

1) ratchet



Order No.	Version 1	D	T min.	T max.	Clamping force max. kN	max. static load kN	Tightening torque max. Nm
04751-4010	with star grip	M10	16	24	40	50	15
04751-4012	with star grip	M12	16	24	40	70	15
04751-4016	with star grip	M16	16	24	40	120	15
04751-4020	with star grip	M20	16	24	40	120	15
04751-40102	with t-grip	M10	16	24	40	50	25
04751-40122	with t-grip	M12	16	24	40	70	25
04751-40162	with t-grip	M16	16	24	40	120	25
04751-40202	with t-grip	M20	16	24	40	120	25