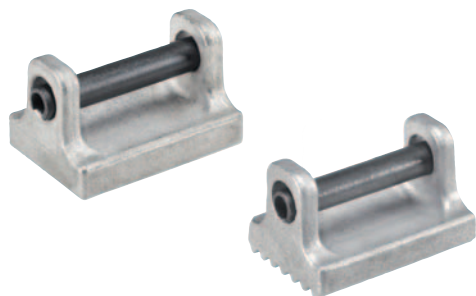


# Thrust pads

for power clamp



**Material:**

Stainless steel

**Sample order:**

nIm 04631-025

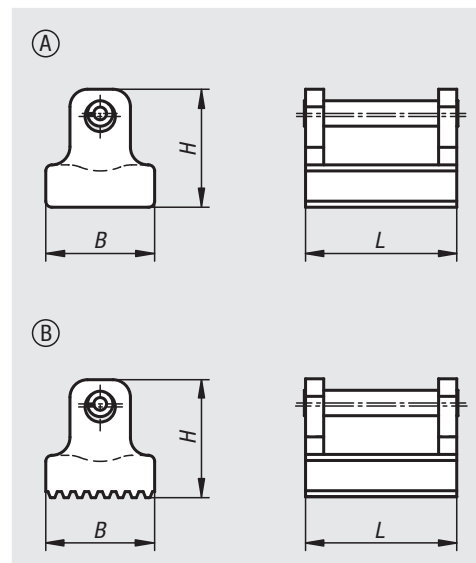
**Note:**

Power clamps can be fitted with serrated or smooth thrust pads.

**Accessories:**

Power clamp 04629

3-stage power clamp 04629-10



Order No. Form A smooth	Order No. Form B serrated	B	H	L
04631-019	04631-119	12	14	19
04631-025	04631-125	18	19,5	25
04631-030	04631-130	20	24	30
04631-036	04631-136	25	28	36