

Power clamp 3 stage



Material:
Carbon steel.

Version:
Forged, black electro zinc-plated.

Sample order:
nlm 04629-10-1121301

Application:
The height of the clamping arm can be infinitely adjusted using the adjustment screw and the workpiece can then be clamped.

Assembly:

1. Position the support element on the machine table and fasten using the recommended torque.
2. Bring the clamping arm into the required position.
3. Clamp the workpiece by tightening the set screw.

Advantages:

- Very high retaining forces of 22–49 kN.
- Simple element assembly.
- Enables very fast, simple clamping.
- Infinitely adjustable height and length.
- Use in 14–28 mm T-slots or M12, M16, M20 grid systems.
- Thrust pad available in smooth and serrated versions.

Supplied with:

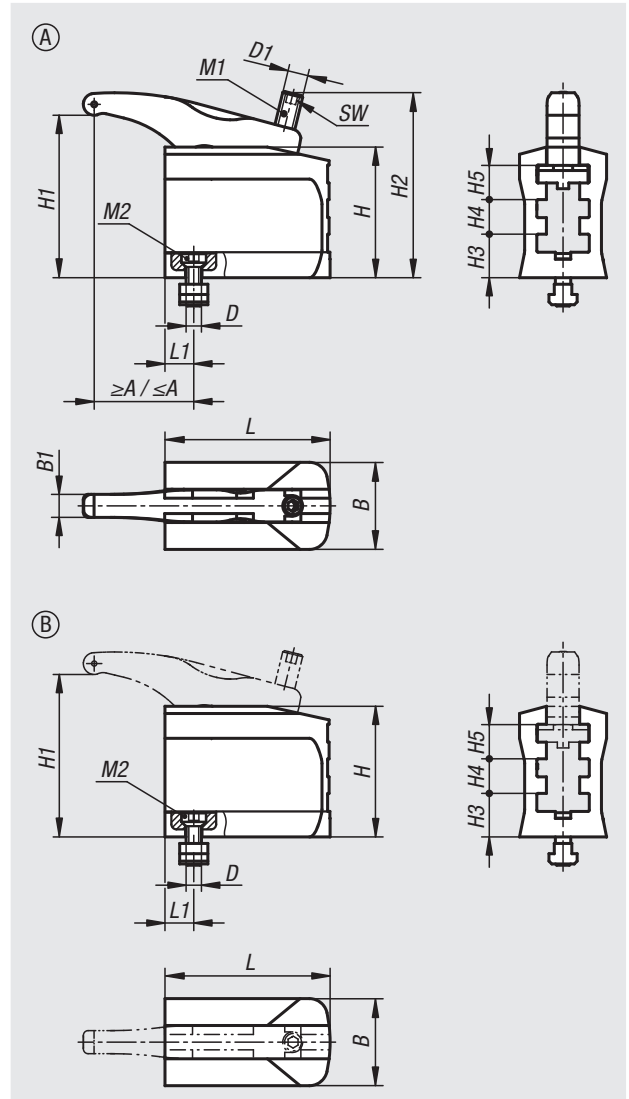
Form A:

- Clamping unit
- 3 stage support element
- Fastening set

Form B:

- 3 stage support element
- Fastening set

Accessories:
Raiser 04630
Thrust pads 04631



Power clamp 3 stage



01000

02000

03000

04000

05000

06000

07000

08000

09000

10000

12000



| Order No. | Version 1 | Form | Form-Type | H1 | A min. | A max. | B | B1 | Slot width | D | D1 |
|------------------|-----------|------|----------------------|--------|--------|--------|----|----|------------|-----|-----|
| 04629-10-2120651 | short | A | with clamping arm | 9-74 | 30 | 58 | 52 | 13 | 14 | M12 | M12 |
| 04629-10-1121301 | long | A | with clamping arm | 13-129 | 37 | 106 | 68 | 18 | 14 | M12 | M16 |
| 04629-10-1161501 | long | A | with clamping arm | 16-147 | 48 | 144 | 75 | 20 | 18 | M16 | M20 |
| 04629-10-1201701 | long | A | with clamping arm | 16-169 | 68 | 172 | 85 | 25 | 22 | M20 | M24 |
| 04629-10-2120650 | short | B | without clamping arm | 9-74 | - | - | 52 | - | 14 | M12 | - |
| 04629-10-1121300 | long | B | without clamping arm | 13-129 | - | - | 68 | - | 14 | M12 | - |
| 04629-10-1161500 | long | B | without clamping arm | 16-147 | - | - | 75 | - | 18 | M16 | - |
| 04629-10-1201700 | long | B | without clamping arm | 16-169 | - | - | 85 | - | 22 | M20 | - |

| Order No. | Form | H | H2 | H3 | H4 | H5 | L | L1 | SW | Clamping force kN | Tightening torque M1 Nm | Tightening torque M2 Nm |
|------------------|------|-----|-----|----|----|----|-----|------|----|-------------------|-------------------------|-------------------------|
| 04629-10-2120651 | A | 67 | 98 | 25 | 16 | 16 | 65 | 14,5 | 6 | 22 | 55 | 40 |
| 04629-10-1121301 | A | 101 | 146 | 34 | 27 | 27 | 130 | 22,5 | 8 | 30 | 100 | 70 |
| 04629-10-1161501 | A | 116 | 175 | 43 | 29 | 29 | 150 | 25 | 10 | 43 | 200 | 150 |
| 04629-10-1201701 | A | 140 | 207 | 52 | 34 | 34 | 170 | 29 | 12 | 49 | 220 | 200 |
| 04629-10-2120650 | B | 67 | - | 25 | 16 | 16 | 65 | 14,5 | - | 22 | - | 40 |
| 04629-10-1121300 | B | 101 | - | 34 | 27 | 27 | 130 | 22,5 | - | 30 | - | 70 |
| 04629-10-1161500 | B | 116 | - | 43 | 29 | 29 | 150 | 25 | - | 43 | - | 150 |
| 04629-10-1201700 | B | 140 | - | 52 | 34 | 34 | 170 | 29 | - | 49 | - | 200 |