

# Compact clamps


**Material:**

Housing aluminium.  
Clamping lever hardened steel.  
Clamping screw grade 10.9.

**Version:**

Housing bright, clamping lever ground and black oxidised.

**Sample order:**

nIm 04625-108

**Note:**

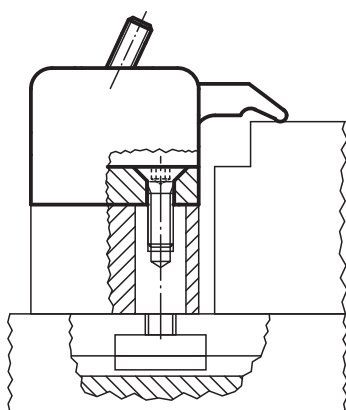
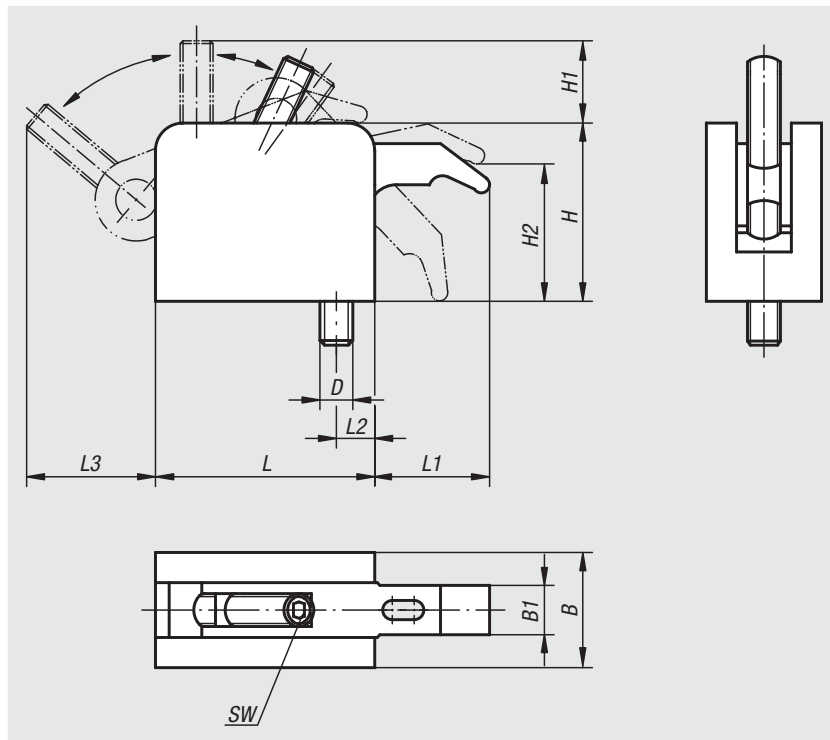
The clamping arm of this compact clamp is fully retractable.

Technical benefits:

- unhindered workpiece changes.
- infinitely variable adjustment.
- high self-locking clamping force.
- variable height assembly (riser blocks see 04626).
- high clamping force without great effort.
- clamp also suitable as stop.

**On request:**

Longer tightening arm (L1).



Order No.	Size	L	L1	L2	L3	B	B1	H	H1	H2	D	SW	Clamping force kN
04625-106	1	53	27	11	29	32	11	43	17	30	M6	4	5
04625-108	1	53	27	11	29	32	11	43	17	30	M8	4	5
04625-210	2	80	40	17	45	42	18	65	30	50	M10	6	10
04625-212	2	80	40	17	45	42	18	65	30	50	M12	6	10
04625-312	3	107	53	22	57	53	25	87	32	67	M12	8	15