

# Side Clamp



**Material:**  
Carbon steel.

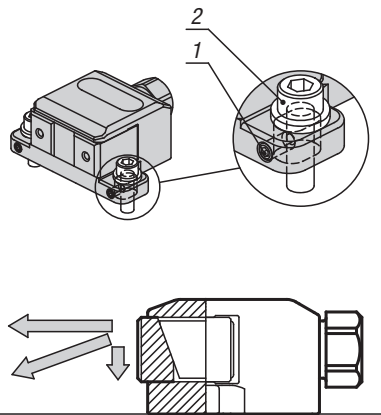
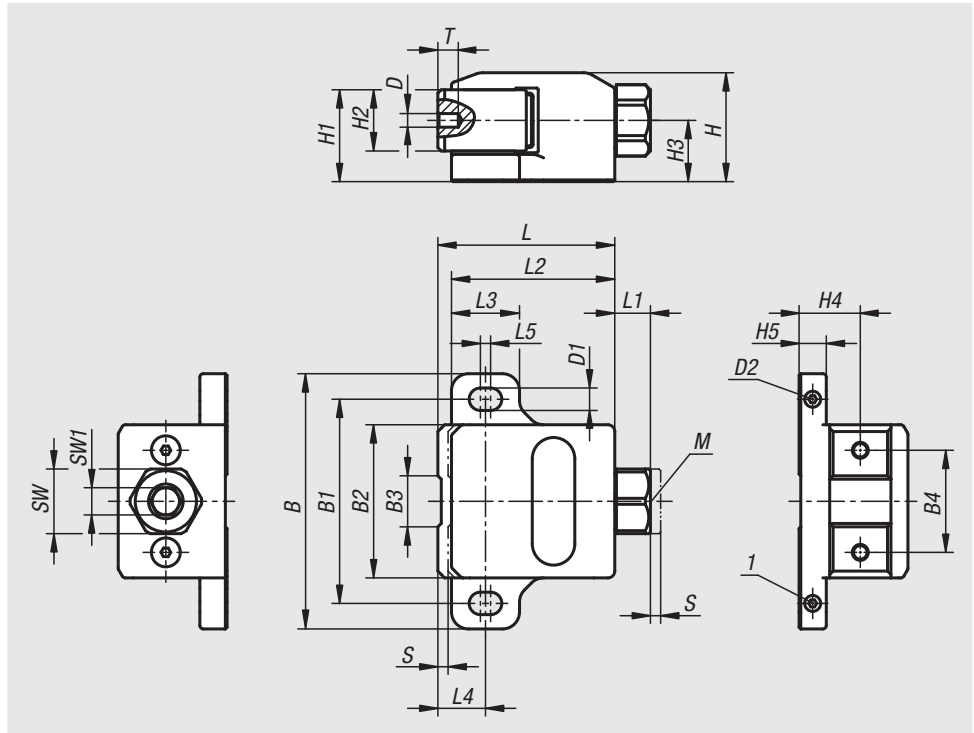
**Version:**  
Body black oxidised.  
Clamping face ground.

**Sample order:**  
nlm 04579-0900

**Note:**  
Tighten the setscrew to prevent the side clamp sliding back during the clamping process.

**Advantages:**  
- High clamping force  
- Ground clamping face  
- Pull-down force prevents the workpiece lifting

**Drawing reference:**  
1) Setscrew  
2) Cap screw



Order No.	B	B1	B2	B3	B4	D	D1	D2	H	H1	H2	H3	H4	H5	L	L1	L2	L3	L4	L5	SW	SW1	T	Travel S	Clamping force kN	Tightening torque max. Nm
04579-0900	75	60	45	15	30	M4	6,6	M4x6	32	27	18	18	18	8	52	10	48	20	14	3	19	8	6	3	9	25
04579-1400	100	80	60	20	40	M5	8,6	M5x8	40	33	22	22	22	10	69	13	63	26	19	4	24	10	8	4	14	50

01000  
02000  
03000  
04000  
05000  
06000  
07000  
08000  
09000  
10000  
12000