

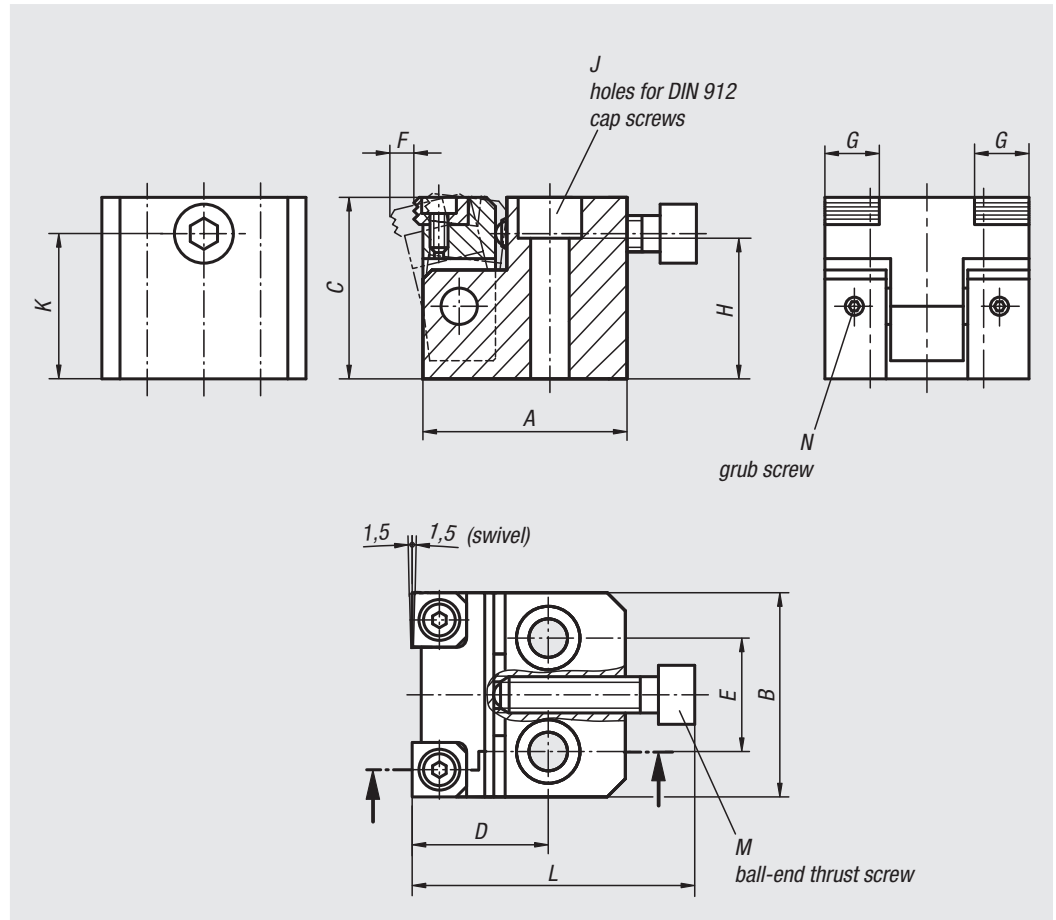
Side clamps



Material:
Body and arm carbon steel.
Jaw tool steel.

Version:
Body black oxidised.
Arm and jaw tempered and black oxidised.

Sample order:
nlm 04578-080400



Order No.	A	B	C	D	E	F	G	H	J	K	L	M	N	F=Retaining force N	Tightening torque Nm
04578-080400	45	45	40	30	25	5,3	12	31	M8	32	62,5	M8x35	M4x4	15000	25
04578-100500	55	55	50	40	30	7,1	16	39	M10	40	74	M10x40	M4x4	27000	50
04578-120600	65	65	60	45	35	8	20	47	M12	48	91	M12x50	M5x5	38000	90