

Flat clamps



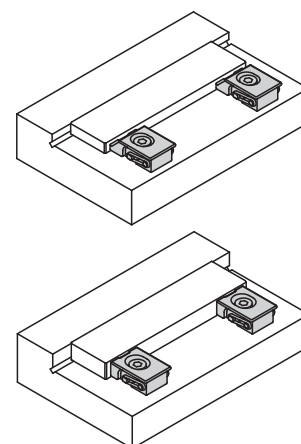
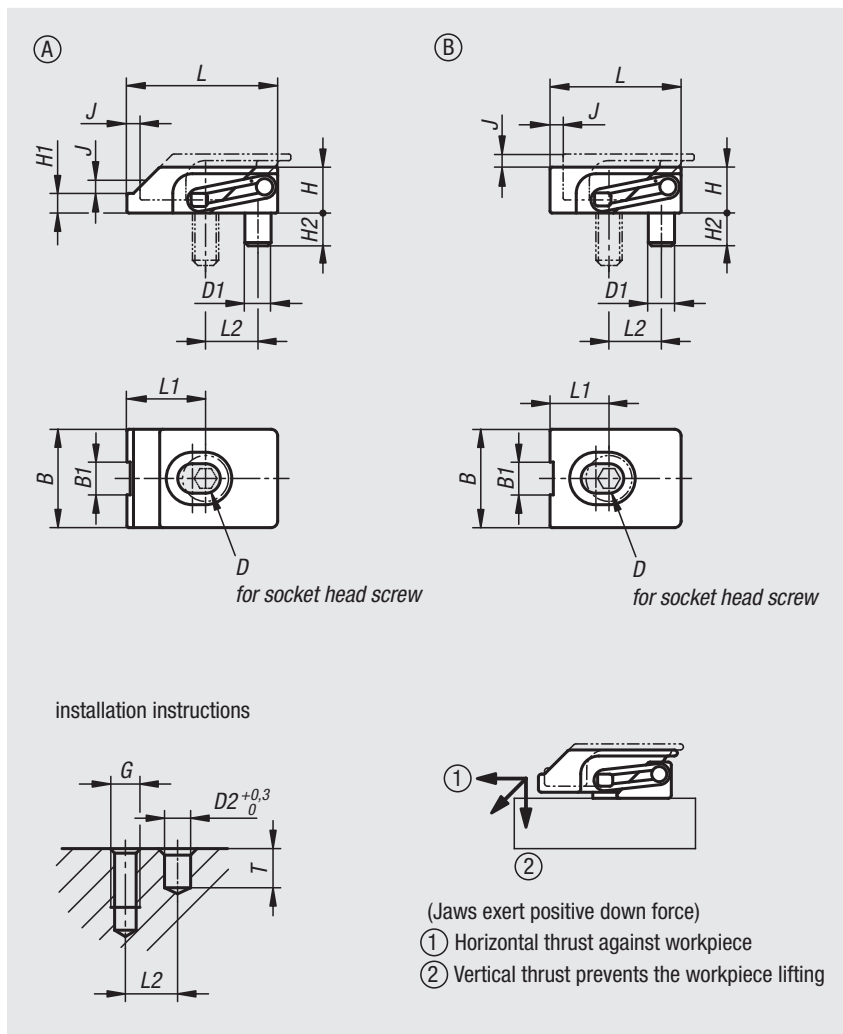
Material:
Carbon steel.

Version:
Hardened (33–39 HRC) and black oxidised.

Sample order:
nlm 04571-204

Note:
Particularly low workpieces can be clamped using these flat clamps.
Clamping element with pull-down effect.
Clamping element and fixed block in one compact unit.

Drawing reference:
Dimension L1 refers to clamped state.



| Order No. | Form | B | B1 | D1 | D2 | G | H | H1 | H2 | J | L | L1 | L2 | T | Clamping force max. kN | Tightening torque max. Nm |
|-----------|------|----|----|----|----|----|---|----|----|-----|----|----|----|---|------------------------|---------------------------|
| 04571-104 | A | 15 | 5 | 4 | 4 | M4 | 7 | 3 | 5 | 2 | 23 | 12 | 8 | 6 | 2 | 2,7 |
| 04571-105 | A | 19 | 7 | 5 | 5 | M5 | 9 | 4 | 6 | 2,5 | 28 | 14 | 10 | 7 | 3 | 5,4 |
| 04571-204 | B | 15 | 5 | 4 | 4 | M4 | 7 | - | 5 | 2 | 20 | 9 | 8 | 6 | 2,5 | 2,7 |
| 04571-205 | B | 19 | 7 | 5 | 5 | M5 | 9 | - | 6 | 2,5 | 25 | 11 | 10 | 7 | 3,5 | 5,4 |

01000
02000
03000
04000
05000
06000
07000
08000
09000
10000
12000