

# Wedge clamps



**Material:**  
Carbon steel.

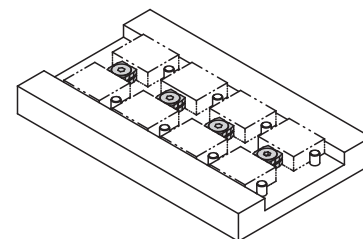
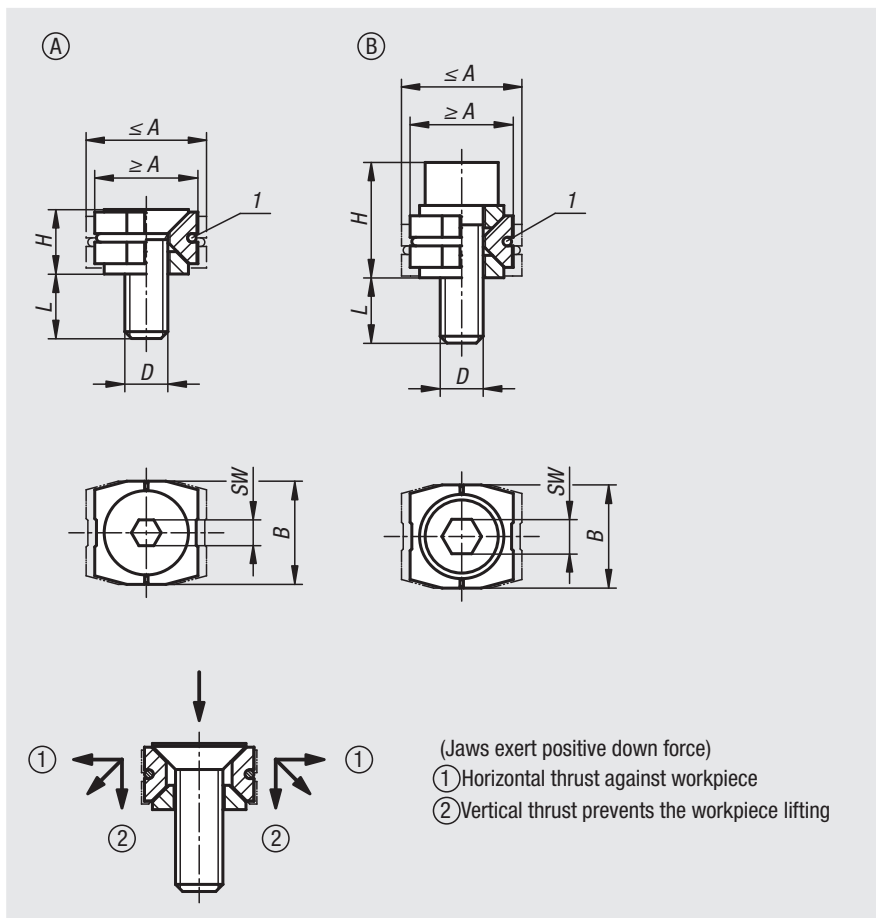
**Version:**  
Jaw plate hardened (33–39 HRC) and black oxidised.

**Sample order:**  
nlm 04567-11205

**Note:**  
Due to the functioning principle, wedge clamps are suitable for clamping in series.  
The wedges generate higher clamping forces.  
The wedge clamps are available with cap screws or countersunk screws.  
Wedge clamps with pull-down effect.

**Drawing reference:**  
Dimension L refers to  $\leq A$ .  
Dimension H refers to  $\geq A$ .

1) O-ring



Order No.	Form	Version 2	A min.	A max.	B	D	H	L	SW	Clamping force max. kN	Tightening torque max. Nm
04567-11205	A	with csk. screw	12	14	12	M5X15	7,5	9,5	3	2	4,3
04567-11506	A	with csk. screw	15	17	14,8	M6X16	8,7	9,3	4	3,5	7,3
04567-11808	A	with csk. screw	18,5	21,5	18,4	M8X20	11,8	11,3	5	5	18
04567-21205	B	with socket head screw	12	14	12	M5X16	13,4	9,6	4	3	5,4
04567-21506	B	with socket head screw	15	17	14,8	M6X18	15,8	10,2	5	4,5	9,1
04567-21808	B	with socket head screw	18,5	21,5	18,4	M8X25	21,2	14,9	6	9	22

01000  
02000  
03000  
04000  
05000  
06000  
07000  
08000  
09000  
10000  
12000