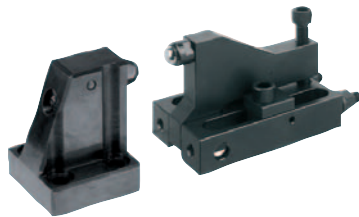


# Side clamps

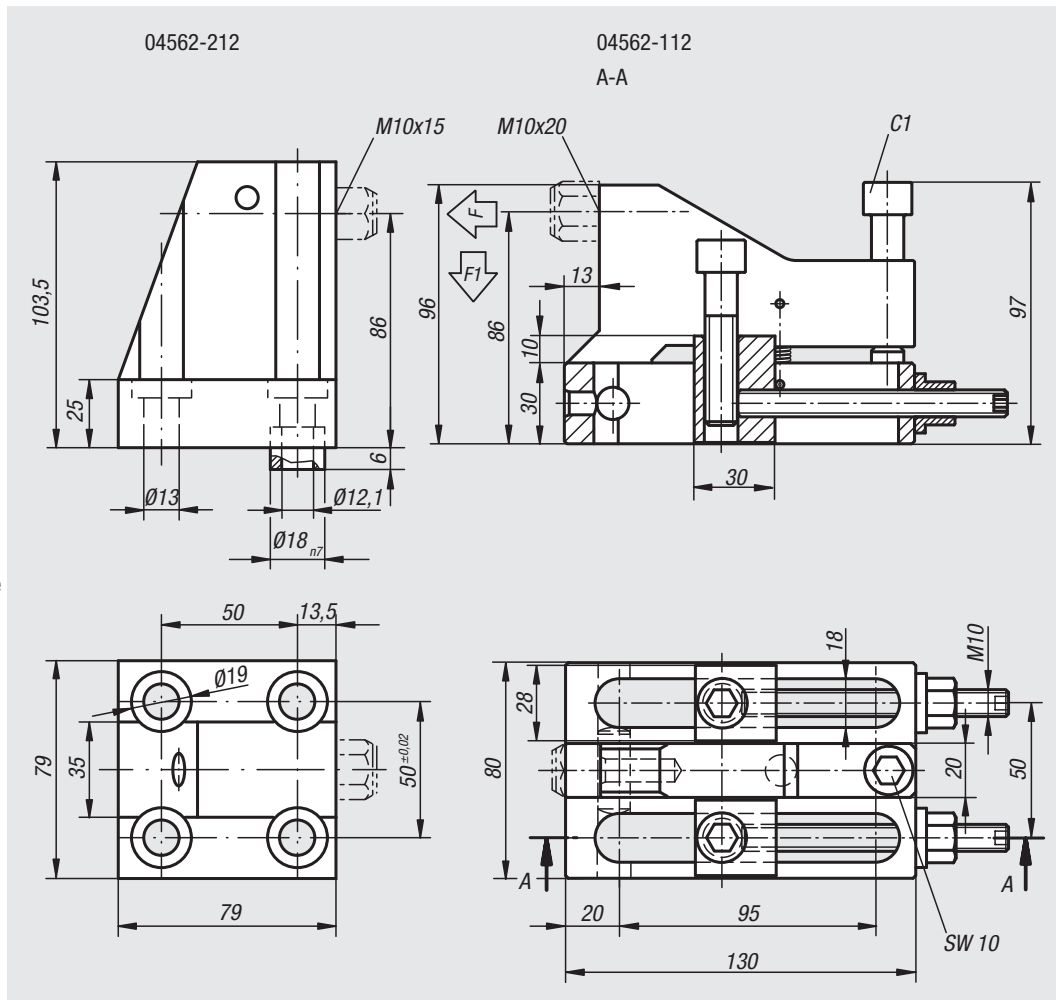


**Material:**  
Body steel 1.1191.

**Version:**  
Black oxidised.  
Centring bush hardened.

**Sample order:**  
nlm 04562-112  
(self-aligning pads not supplied)

**Note:**  
The unit comprises of an adjustable side clamp and a side stop and are used to clamp workpieces with a simultaneous positive down force. The side clamp has two DIN 913 grub screws which can be set to prevent backward slippage during clamping.



Order No.	F N	F1 N	Tightening torque of screw C1 Nm
04562-112	25000	5000	30
04562-212	22500	4500	30

01000  
02000  
03000  
04000  
05000  
06000  
07000  
08000  
09000  
10000  
12000