

## Side stops


**Material:**

Body ductile iron (SG iron).  
Jaw hardened carbon steel.

**Version:**

Painted black.  
Jaw bright.

**Sample order:**

nlm 04540-01

**Note:**

The workpiece is clamped between side clamps and the side stops, simultaneously producing a positive down force.

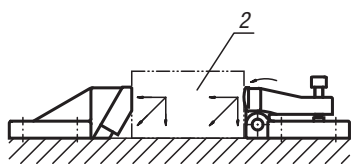
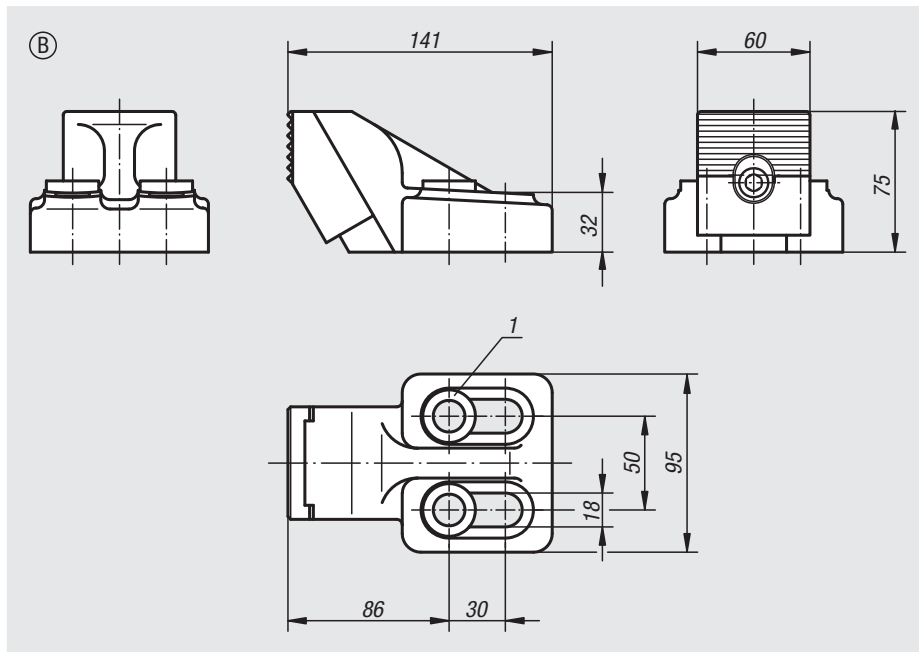
Side clamps and stops are secured with DIN 912 cylinder screws. A secure clamping is ensured when side clamps and side stops are used together.

**Form B:**

2 conical seats and 2 spherical washers for M12 and M16 are supplied.

**Drawing reference:**

- 1) spherical washer set for M12 and M16
- 2) workpiece



Order No.

Form

04540-02

B