

Side clamps


Material:

Body ductile iron (SG iron).
Jaw hardened carbon steel.

Version:

Painted black.
Jaw bright.

Sample order:

nIm 04530-03

Note:

The workpiece is clamped between side clamps and the side stops, simultaneously producing a positive down force.

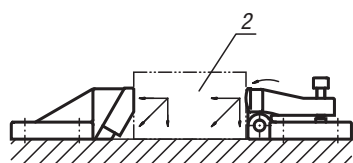
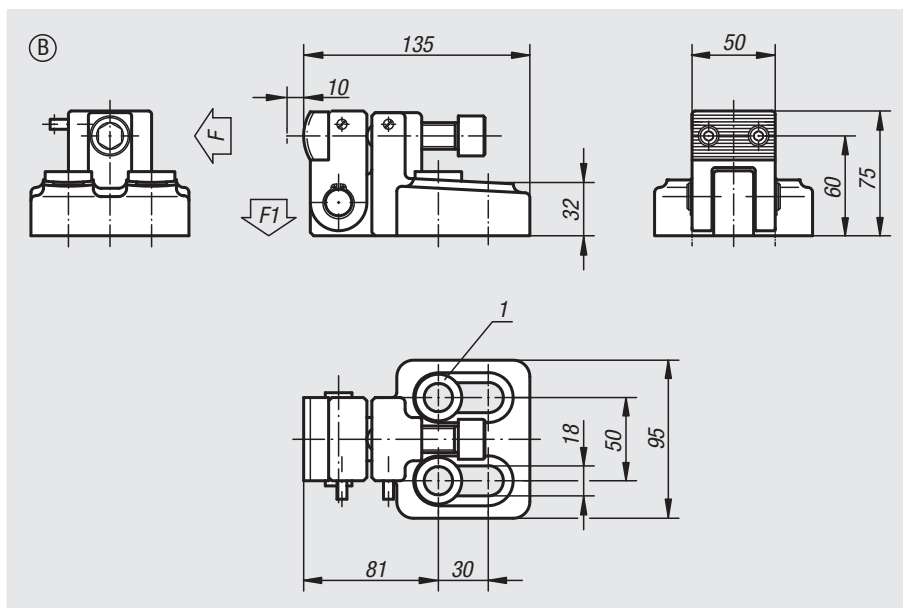
Side clamps and stops are secured with DIN 912 cylinder screws. A secure clamping is ensured when side clamps and side stops are used together.

Form B:

2 conical seats and 2 spherical washers for M12 and M16 are supplied.

Drawing reference:

- 1) spherical washer set for M12 and M16
- 2) workpiece



Order No.	Form	F kN	F1 kN	Tightening torque Nm
04530-03	B	58	2,4	150