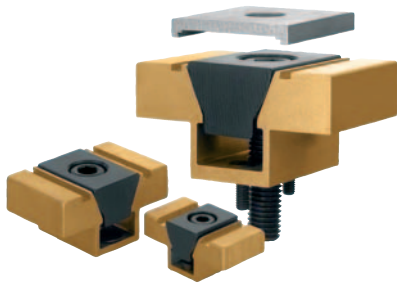


Wedge clamps

machinable



Material:

Channel aluminium profile.
Wedge hardened steel.

Version:

Channel anodised.
Wedge black oxidised.

Sample order:

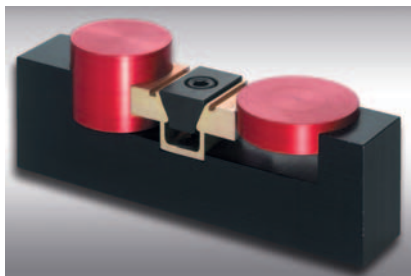
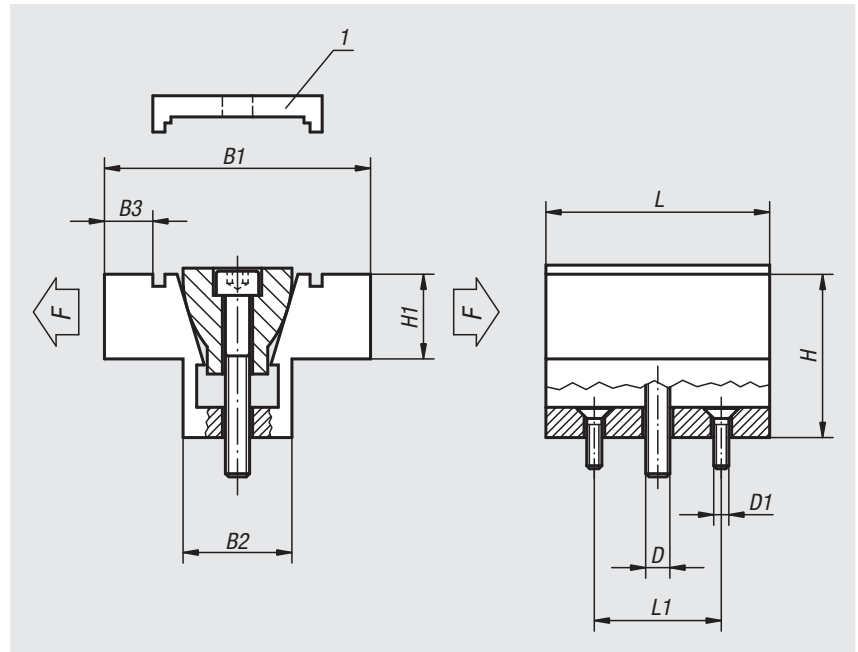
nIm 04523-08

Note:

Two workpieces can be held simultaneously with the wedge clamp. The jaws have extra material allowing them to be machined to conform to the shape of the workpiece. The compact design allows space-saving series clamping.

Drawing reference:

1) The locking plate is only used for machining the form, not for clamping the workpiece.



Order No.	D	D1	L	L1	B1 min. - max.	B2	B3	H	H1	Clamping force max. kN	Tightening torque max. Nm
04523-04	M4	M2	15,7	10,16	28,6 - 29,1	10,6	4,6	12,7	6,3	2,2	3,4
04523-06	M6	M4	23,9	15,9	38,1 - 39	16,1	6,6	19,1	9,4	6,7	14,3
04523-08	M8	M4	31,8	20,6	50,8 - 52	20,8	9,9	25,4	12,7	8,9	14,5
04523-12	M12	M5	47,5	30,5	76,2 - 78	30,9	15,7	38,1	19	15,6	38,4
04523-16	M16	M6	63,5	41,28	101,6 - 103,9	41,3	20,3	50,8	25,4	26,7	74,6