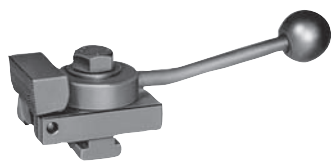


Side clamps

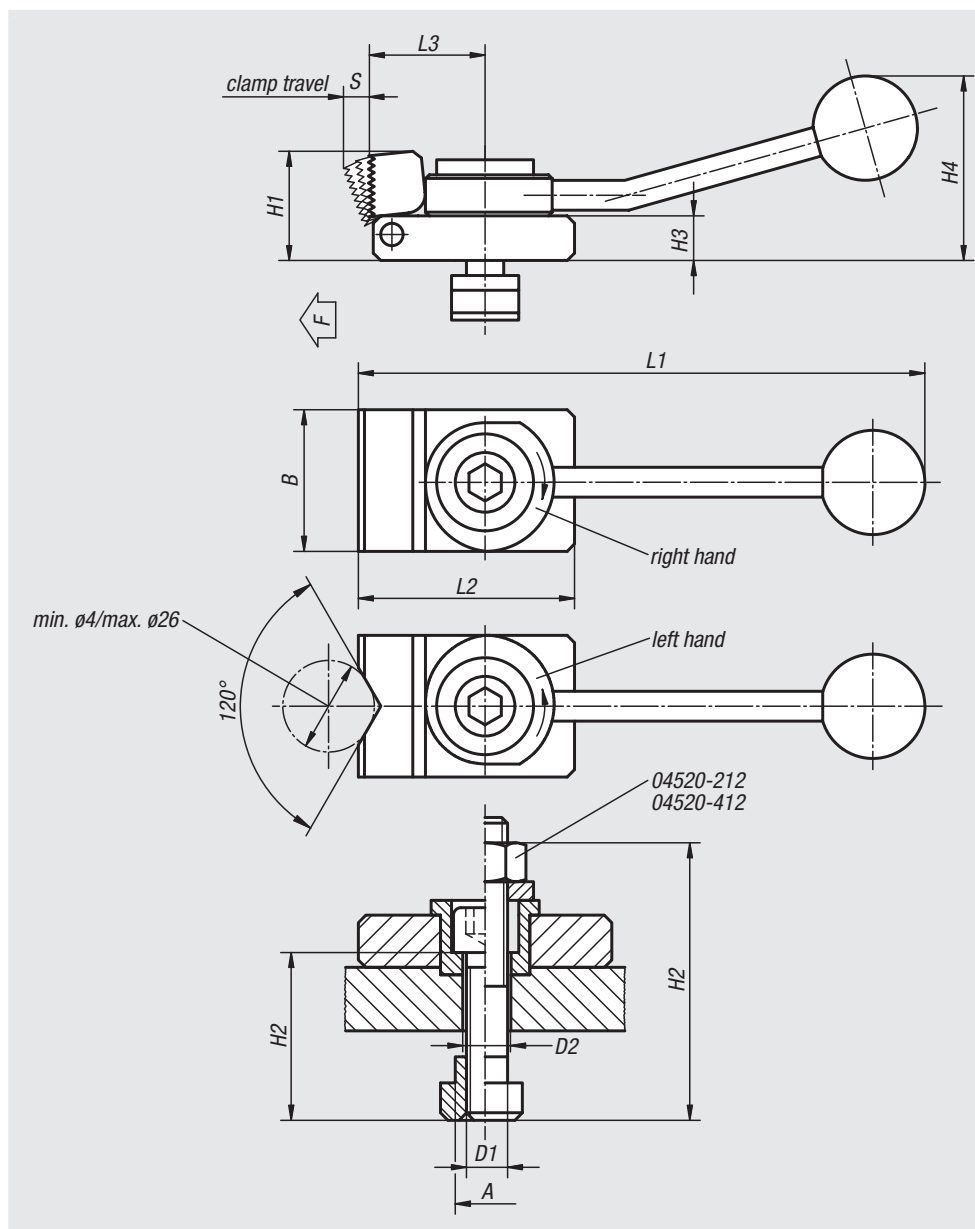
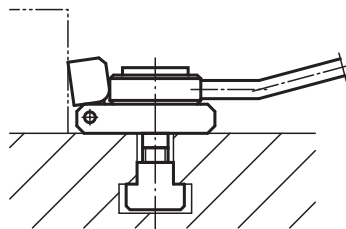


Material:
Steel.

Version:
Case-hardened and black oxidised.

Sample order:
nlm 04520-114X2

Note:
This is a quick-action side clamp where workpieces are clamped by rotating a cam wheel which exerts pressure on the swivel jaw, simultaneously producing a positive down force. The low-profile design allows workpieces to be machined over the entire top surface without the need to move the the clamp. A spring withdraws the jaw when opened.
The clamp can be positioned parallel to the T-slot by mounting on the seating block 04512.



Order No. right	Order No. left	Version 2	slot dimension A	D1	D2	L1	L2	L3	B	H1	H2	H3	H4	S	F max. kN
04520-310X2	04520-110X2	jaw plate prism	10	M8	8,4	132	50	32	32	20	30	8	40	3	3,5
04520-310X1	04520-110X1	jaw plate level	10	M8	8,4	132	50	32	32	20	30	8	40	3	3,5
04520-312X2	04520-112X2	jaw plate prism	12	M8	8,4	132	50	32	32	20	30	8	40	3	3,5
04520-312X1	04520-112X1	jaw plate level	12	M8	8,4	132	50	32	32	20	30	8	40	3	3,5
04520-412X2	04520-212X2	jaw plate prism	12	M12	12,5	190	72	40	48	38	60	16	62	4	7
04520-412X1	04520-212X1	jaw plate level	12	M12	12,5	190	72	40	48	38	60	16	62	4	7
04520-314X2	04520-114X2	jaw plate prism	14	M8	8,4	132	50	32	32	20	30	8	40	3	3,5
04520-314X1	04520-114X1	jaw plate level	14	M8	8,4	132	50	32	32	20	30	8	40	3	3,5
04520-414X2	04520-214X2	jaw plate prism	14	M12	12,5	190	72	40	48	38	40	16	62	4	7
04520-414X1	04520-214X1	jaw plate level	14	M12	12,5	190	72	40	48	38	40	16	62	4	7
04520-416X2	04520-216X2	jaw plate prism	16	M12	12,5	190	72	40	48	38	40	16	62	4	7
04520-416X1	04520-216X1	jaw plate level	16	M12	12,5	190	72	40	48	38	40	16	62	4	7
04520-418X2	04520-218X2	jaw plate prism	18	M12	12,5	190	72	40	48	38	40	16	62	4	7
04520-418X1	04520-218X1	jaw plate level	18	M12	12,5	190	72	40	48	38	40	16	62	4	7

01000
02000
03000
04000
05000
06000
07000
08000
09000
10000
12000