

Side clamps


Material:

Body steel.

Jaw mild steel.

Centring bush carbon steel

Version:

Black oxidised.

Jaw plates case-hardened.

Sample order:

nIm 04509-006

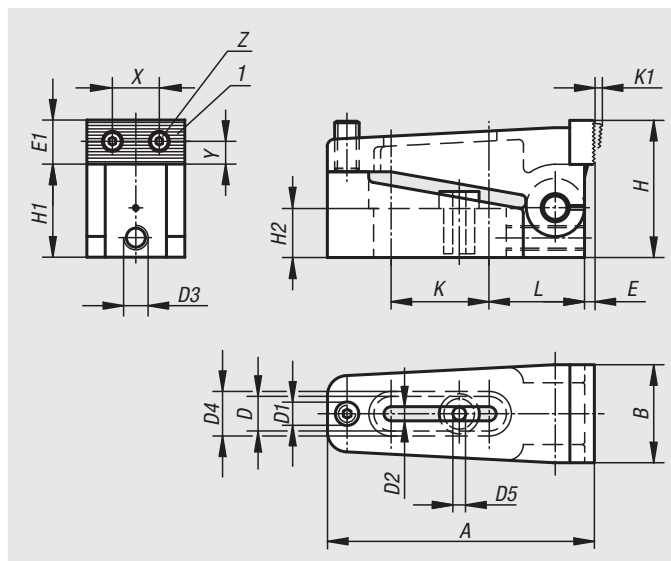
Note:

The jaws are reversible - smooth side for machined surfaces, serrated side for rough surfaces.

A positive down force is also exerted during clamping.

Drawing reference:

1) reversible jaw



Order No.	A	B	D	D1	D2	D3	D4	D5	E	E1	H	H1	H2	K	K1	L	X	Y	Z	F=Retaining force N
04509-006	73	25	12,2	M6	7	M6	16	6,5	2,5	11	35	24	12,4	25,5	2,5	27	12	4,5	M3	10000
04509-010	110	39	18,2	M10	11	M10	24	10,5	4	18	56	38	20	40,5	4	39	20,5	8	M5	40000
04509-016	170	58	26,2	M16	17	M10	35	17	7	27	85	60	30	60,5	7	61	32	13	M8	100000