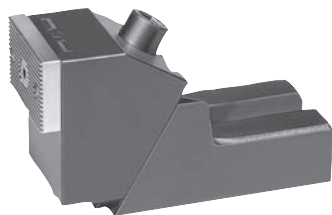


Side clamps robust



Material:

Body malleable iron.
Jaws mild steel.

Version:

Black oxidised.
Jaws case-hardened.

Sample order:

nIm 04500-26

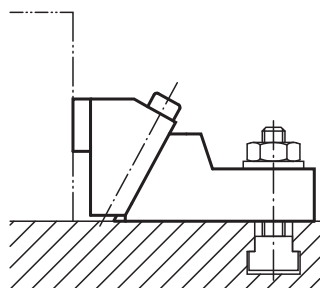
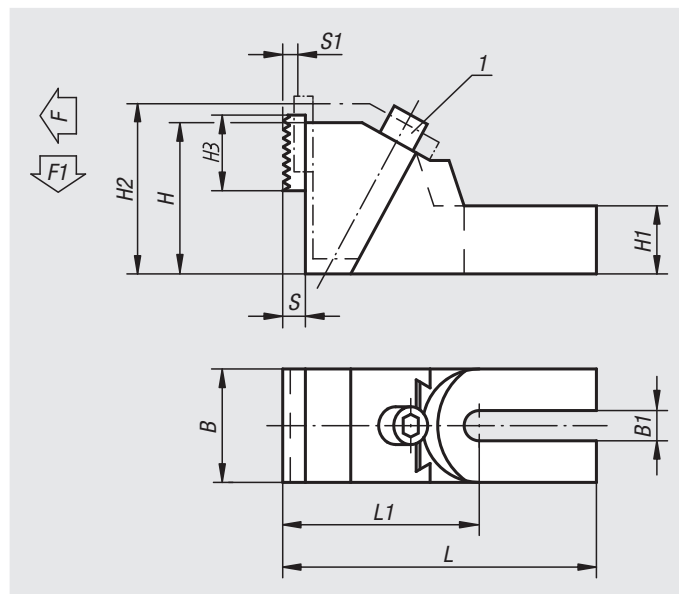
Note:

The jaws are reversible, smooth side for machined parts, serrated side for rough surfaces. We recommend using two bolts to mount the clamp to the machine table!

The T-slot bolts 07040 can be used for mounting (order separately).

Drawing reference:

1) tightening torque max. 50 Nm



Order No.	suitable for slot width	L	L1	B	B1	H	H1	H2	H3	S	S1	F N	F1 N
04500-19	12/14/16/18	177,5	112,5	65	19	85	37	99	40	12	8	18800	2260
04500-26	20/22/24/28/30	226,5	136,5	75	26	100	45	118	40	12	11	23050	2770
04500-38	32/36/42	262,5	157,5	90	38	120	55	145	40	12	15	29400	3330