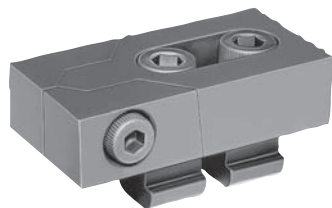


# Low-profile clamps


**Material:**

Steel.

**Version:**

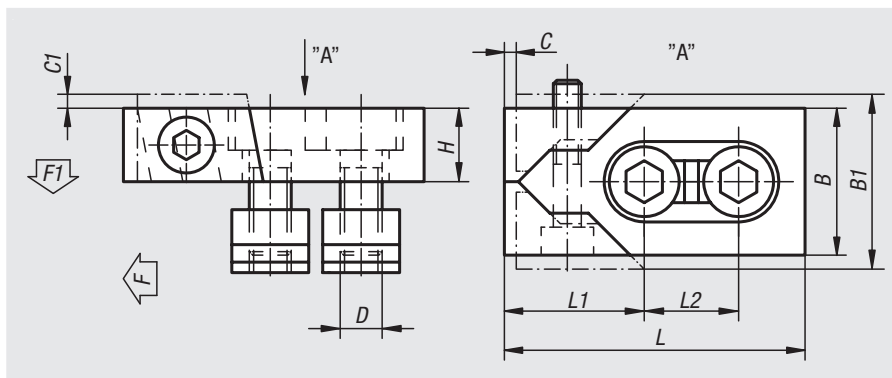
Hardened, black oxidised.

**Sample order:**

nIm 04450-16

**Note:**

These handy low-profile clamp jaws are ideal for machining most workpiece sizes. The hardened wedge operated jaws also provide positive down force.



Order No.	Slot width	L	L1	L2	B	B1	H	C	C1	D	F kN	F1 kN	Tightening torque max. Nm
04450-12	12	80	39	26	40	47	20	3	2,5	M10	16	0,6	15
04450-14	14	80	39	26	40	47	20	3	2,5	M12	22	0,9	18
04450-16	16	80	39	26	40	47	20	3	3	M12	22	0,9	18
04450-161	16	100	46	34	50	59	25	4	2,5	M14	32	1,2	25
04450-18	18	100	46	34	50	60	25	4	3	M16	36	1,4	35
04450-20	20	100	46	34	50	60	25	4	3	M16	36	1,4	35
04450-22	22	140	65	50	78	95	30	5	4	M20	36	1,4	45