

# Talon grips



**Material:**  
Steel.

**Version:**  
Hardened (52+2 HRC) and black oxidised.

**Sample order:**  
nlm 04440-1219

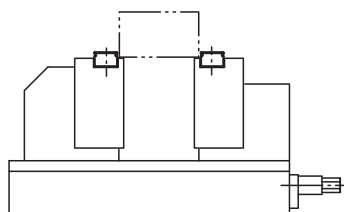
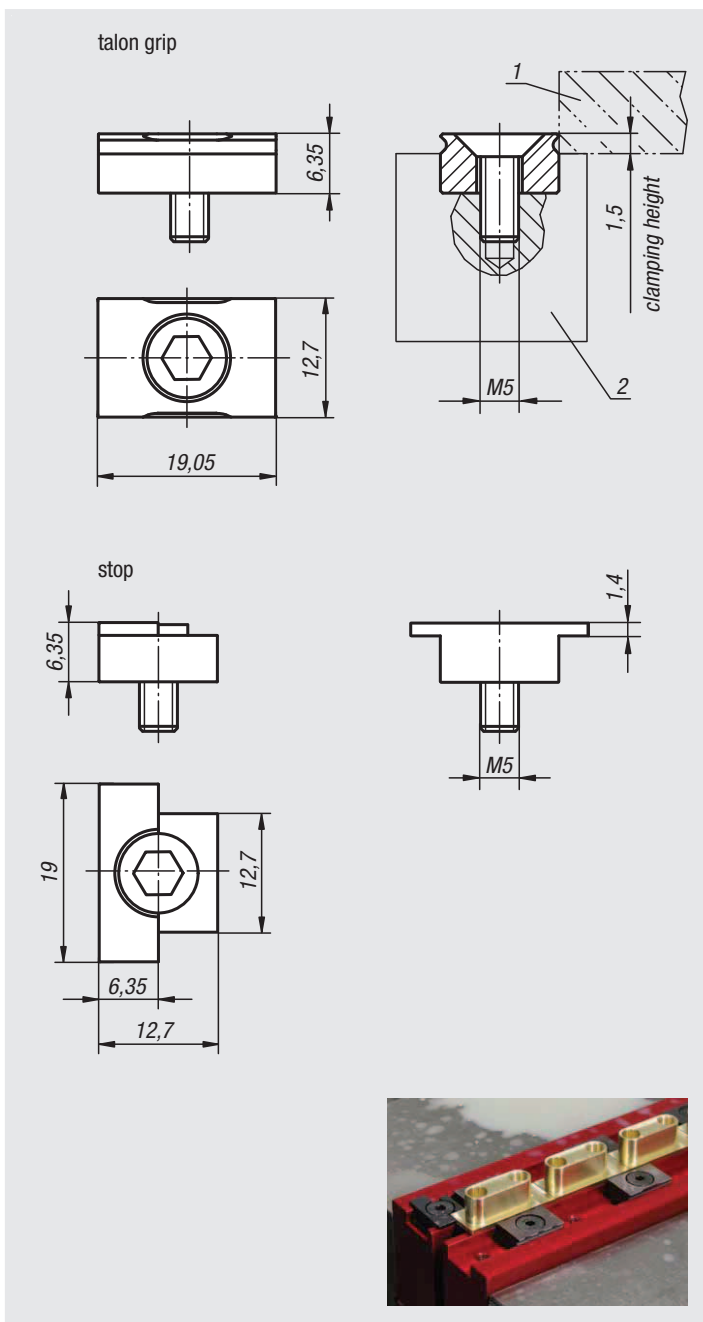
**Note:**  
Talon grips are meant for installing into vice jaw plates. A slot with tapped hole is sufficient for mounting. The sharp edges on the talons bite into the workpiece and prevent lateral and horizontal movement.

- Positive clamping for high cutting speeds.
- Low clamping height of 1.5 mm (saves material costs).
- The contour of the talons produces a slight pull-down effect.

A matching stop is available as an accessory.

**Drawing reference:**

- 1) workpiece
- 2) clamping jaw



Order No.	Version
04440-1219	talon grip
04440-12	stop

# Talon grips round



**Material:**  
Steel.

**Version:**  
Hardened (52+2 HRC) and black oxidised.

**Sample order:**  
nlm 04440-0919

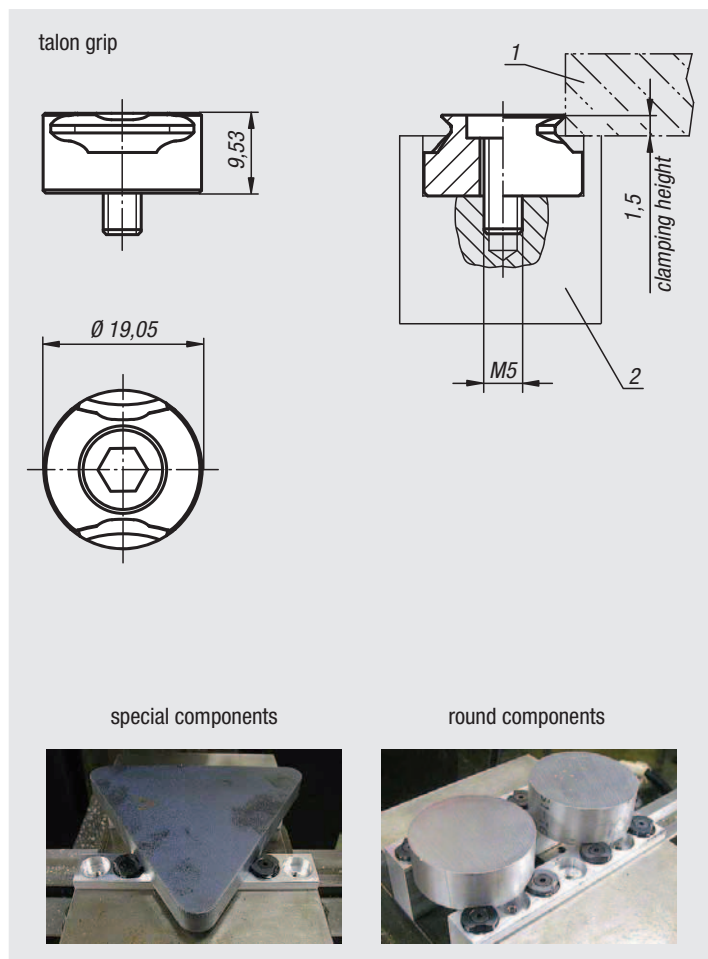
**Note:**  
Talon grips are meant for installing into vice jaw plates. A tapped hole with counterbore is sufficient for the mounting. The sharp edges on the talons bite into the workpiece and prevent lateral and horizontal movement.

- Positive clamping for high cutting speeds.
- Low clamping height of 1.5 mm (saves material costs).
- The contour of the talons produces a slight pull-down effect.

Talon grips expand the application possibilities of your machine vice. Round, contoured and oversized workpieces can be quickly and securely clamped by using talon grips.

**Drawing reference:**

- 1) workpiece
- 2) clamping jaw



Order No.

Version

04440-0919

talon grip