

Cam clamps

with riser



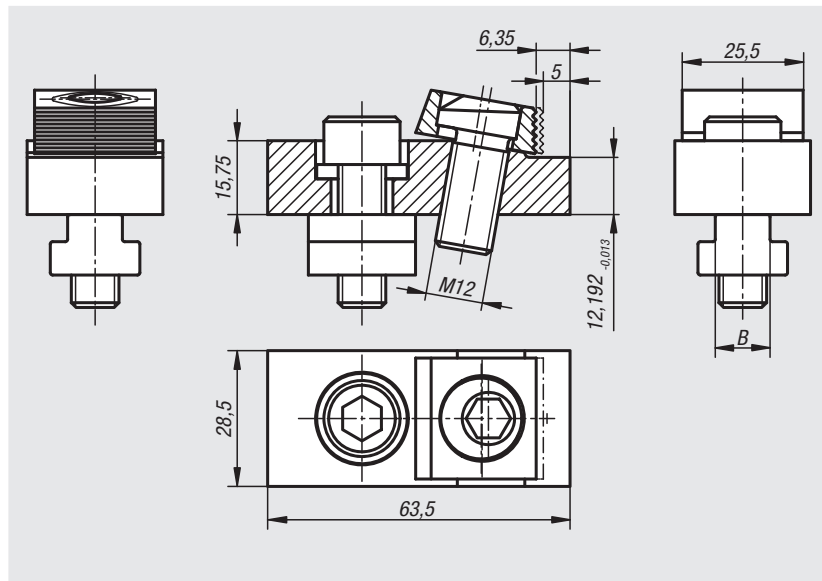
Material:
Steel.

Version:
Body tempered and black oxidised.
Square washer case hardened and brass-plated.

Sample order:
nlm 04437-16

Note:
Also called riser clamps.
These cam clamps with riser can be used directly on machine tables. A positive down force is exerted during clamping.

On request:
Replacement cam screws.



Order No.	B Slot width	Clamping force kN
04437-12	12	12
04437-14	14	12
04437-16	16	12
04437-18	18	12

Toe clamps for T-slots



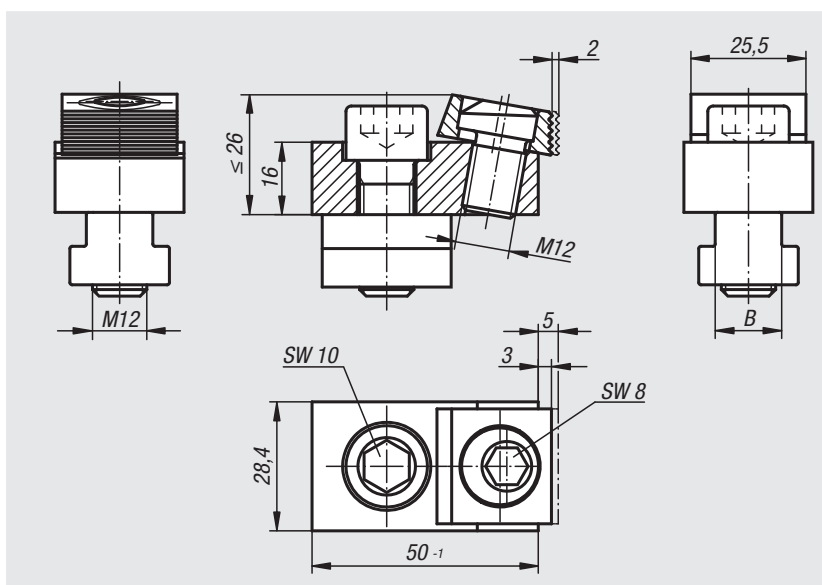
Material:
Steel.

Version:
Body tempered and black oxidised.
Square washer case hardened and brass-plated.

Sample order:
nlm 04439-14

Note:
These toe clamps can be used on machine tables or adapter plates. The positive down force holds the workpiece down on the supporting surface. The square washer can adapt slightly to an angular position i.e. the workpiece does not have to be exactly parallel. The clamping washer has a smooth side for machined surfaces and a serrated side for rough faces.

On request:
Replacement cam screws.



Order No.	B Slot width	Clamping force kN
04439-00	without slot key	18
04439-14	14	18
04439-16	16	18
04439-18	18	18