

Fixture clamps unequal hexagon


Material:

Cam screw steel tempered to 10.9.
Hexagon washer mild steel.

Version:

Cam screw black oxidised.
Hexagon washer hardened and black oxidised.

Sample order:

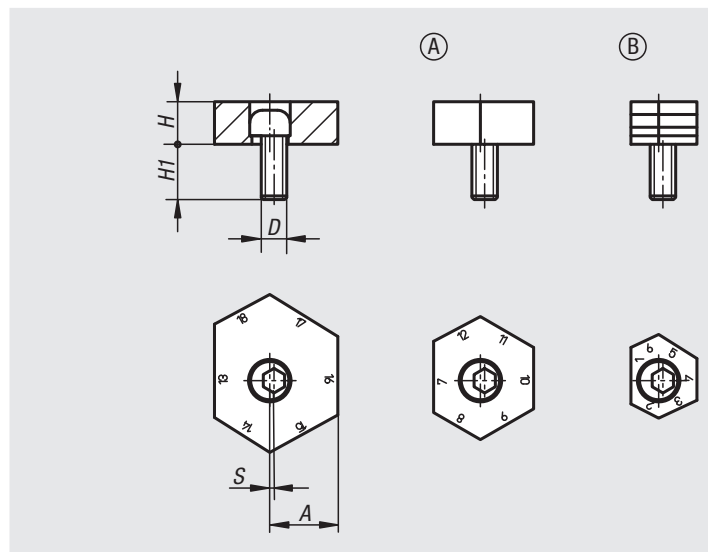
nIm 04432-13

Note:

These unequal hexagon fixture clamps can minimise the cost of clamping in fixtures. The clamping range can be altered up to 17 mm from the same tapped hole. Simply rotate the hexagon washer.

On request:

Replacement cam screws.



Order No. Form A smooth	Order No. Form B serrated	Distance A by face No.	D	H	H1	S (cam travel)	Clamping force kN
04432-09	04432-13	1/12, 2/13, 3/14, 4/15, 5/16, 6/17	M12	10	22	1	18
04432-10	04432-14	7/18, 8/19, 9/20, 10/21, 11/22, 12/23	M12	10	22	1	18
04432-11	04432-15	13/24, 14/25, 15/26, 16/27, 17/28, 18/29	M12	10	22	1	18