

## Clamping element "arness"



### Material:

Steel.  
Ball knob thermoset PF 31

### Version:

Housing painted silver-grey hammertone.  
All other parts and accessories black oxidised.  
Ball knob red.

### Sample order:

n1m 04430-01

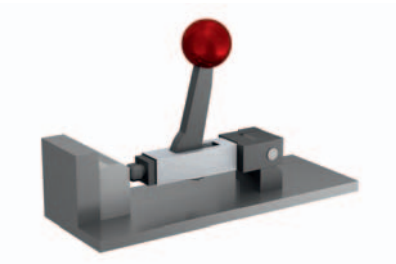
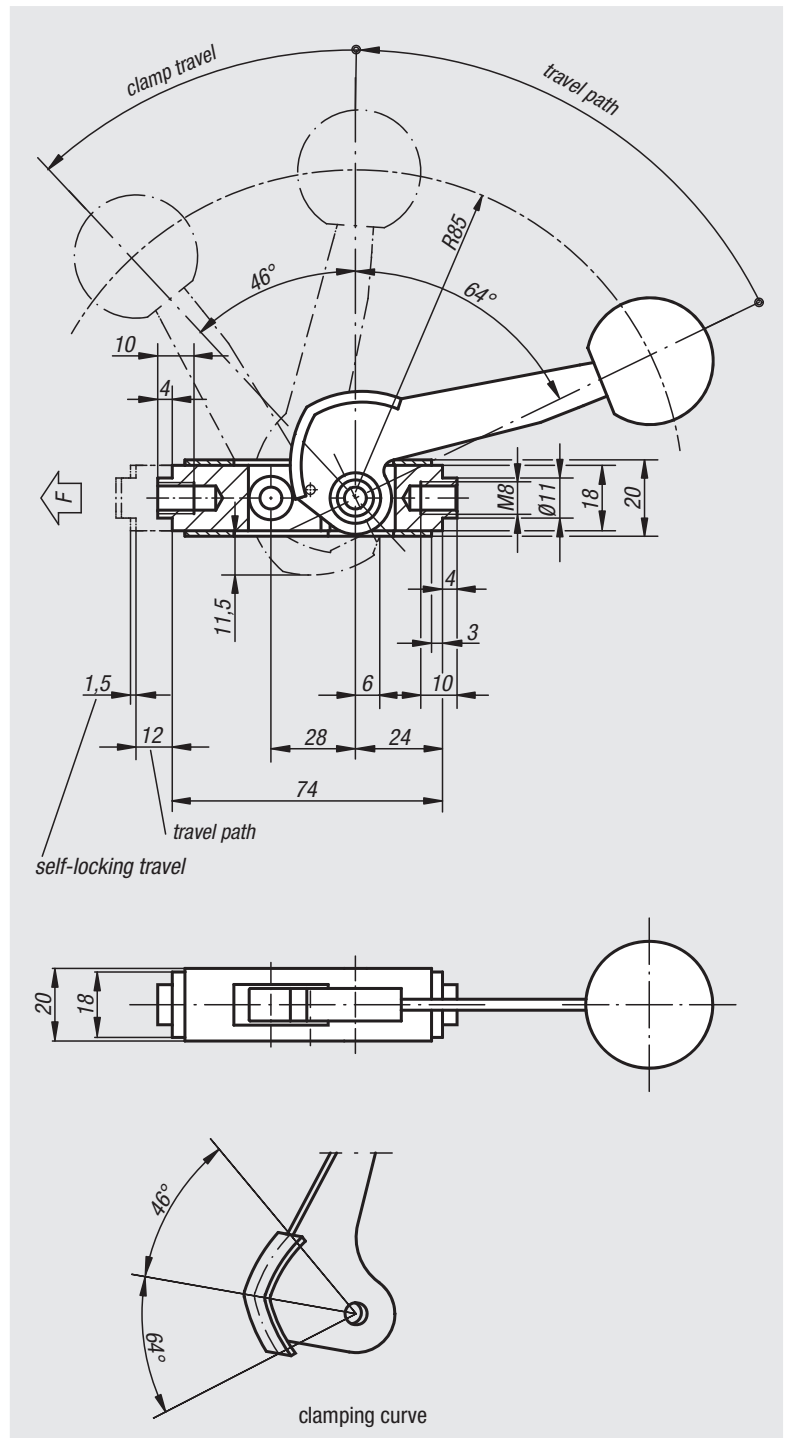
### Note:

The travel path is 12 mm. Self-locking occurs in any position within only 1.5 mm of clamp travel, allowing workpieces with tolerances of up to 1 mm to be securely clamped. The arness clamping element can be fitted in any horizontal or vertical position.

Several standard parts have been developed to achieve individual adaptation for various circumstances and are available as optional accessories.

The thrust pad and all parts of the cam system subject to heavy loads are case-hardened.

The maximum permissible clamping force is approximately 4905 N.



## Clamping element "arness"

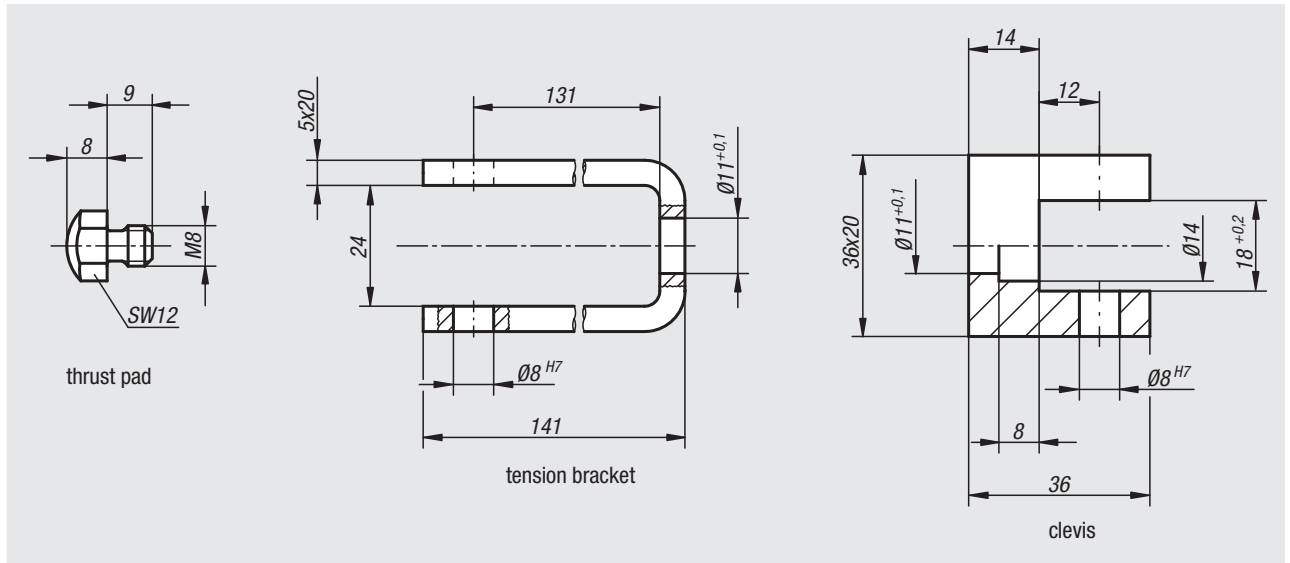
Order No.

Dimensions

04430-01

see drawing

# Clamping element "arness"



## "arness" accessories

Order No.	Item
04430-02	Clevis
04430-03	Tension Bracket
04430-04	Thrust Pad