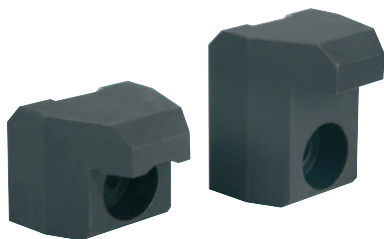


Clamping jaws

for floating clamps

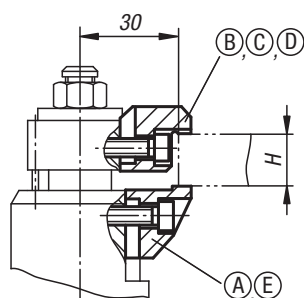
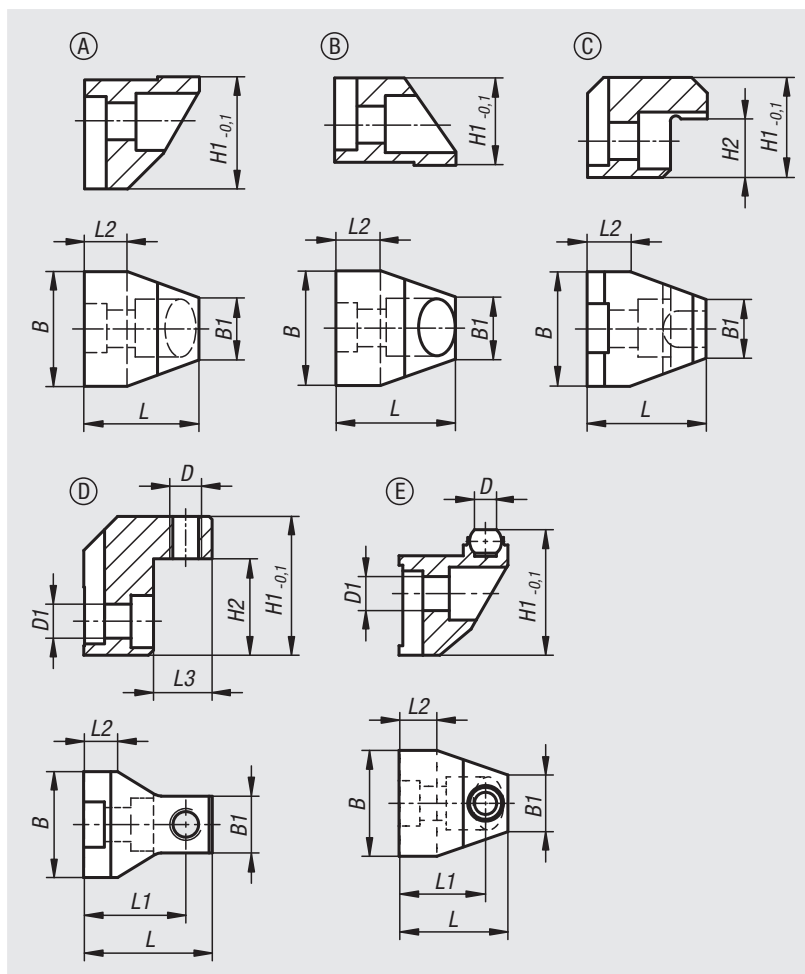


Material:
Steel.

Version:
Nitrided and black oxidised.

Sample order:
nlm 04422-90000

Note:
The clamping jaws can be used for floating clamps to increase the clamping range.



Order No.	H = clamping range max. in combination with 04422-90000 [mm]	H = clamping range max. in combination with 04422-910000 [mm]
04422-90416	4-16	-
04422-91527	15-27	-
04422-92638	26-38	-
04422-90029	29	23
04422-90040	40	34

Order No.	Form	Version 1	B	B1	D	D1	H	H1	H2	L	L1	L2	L3
clamping range													
04422-90000	A	standard lower jaw	28	15	-	-	-	26,8	-	28	-	10	-
04422-90012	B	standard upper jaw	28	15	-	-	0-12	21	-	29,5	-	11,5	-
04422-90416	C	exchange upper jaw	28	15	-	-	4-16	24,5	3,5	29,5	-	11,5	-
04422-91527	C	exchange upper jaw	28	15	-	-	15-27	24,5	14,5	29,5	-	11,5	-
04422-92638	C	exchange upper jaw	28	15	-	-	26-38	35,5	25,5	29,5	-	11,5	-
04422-90029	D	upper jaw	28	15	M8	4,5	-	29,5	16,5	31,5	24,5	8	16
04422-90040	D	upper jaw	28	15	M8	4,5	-	40,5	27,5	31,5	24,5	8	16
04422-910000	E	lower jaw	28	15	5,8	4,5	-	32,8	-	30	23	10	-