

Clamping element "actima"



Material:

Steel.
Housing thermoplastic.
Ball knob thermoset PF 31.
Accessories steel.

Version:

Black oxidised.
Housing black.
Ball knob, red.
Accessories black oxidised.

Sample order:

nlm 04410-10

Note:

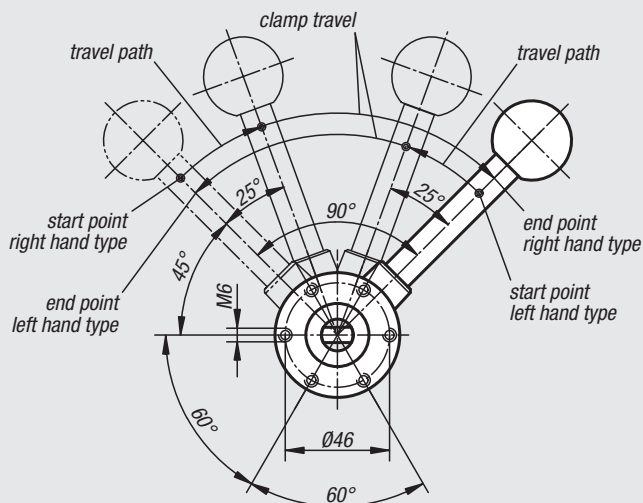
The travel path is 10 mm. Self-locking occurs in any position within only 2 mm of clamp travel, so workpieces with tolerances of up to 1.5 mm can be safely clamped. The Actima clamping device can be mounted in any horizontal or vertical position.

Standard parts enable further applications and are available as optional accessories.

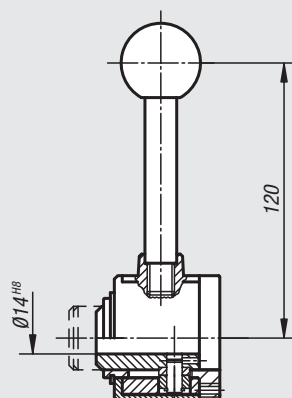
All parts of the cam system subject to heavy loads are case-hardened (thrust sleeve and accessories only if specified).

The maximum permissible clamping force is approximately 4905 N.

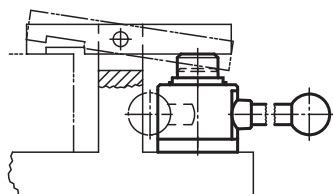
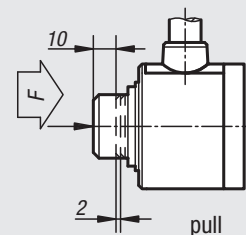
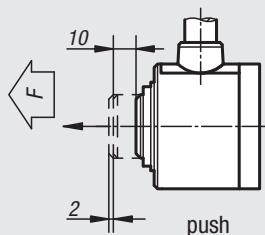
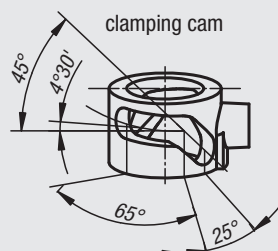
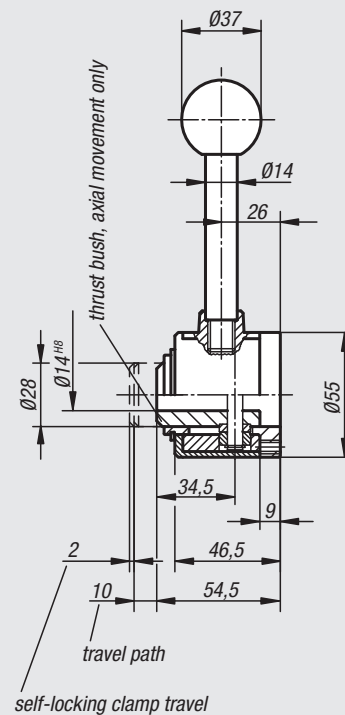
View from below



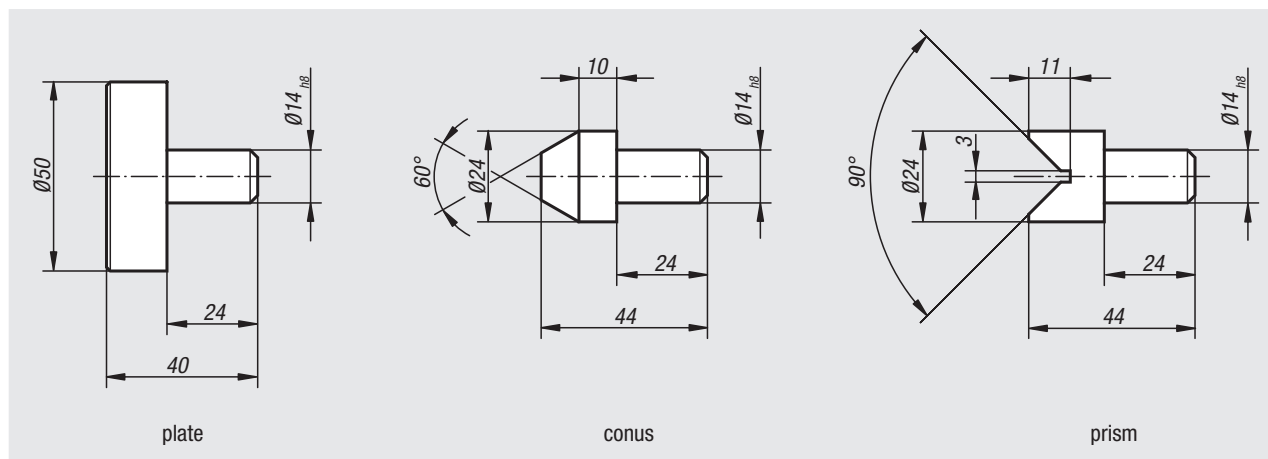
drilled through



with transverse axis in bore



Clamping element "actima"



"actima" clamping element with transverse axis in bore

Order No.	Version
04410-10	right-hand / thrust
04410-15	right-hand / pull
04410-20	left-hand / thrust
04410-25	left-hand / pull

"actima" clamping element with drilled through bore

Order No.	Version
04410-30	right-hand / thrust
04410-35	right-hand / pull
04410-40	left-hand / thrust
04410-45	left-hand / pull

"actima" accessories

Order No.	Item
04410-02	Plate
04410-03	Conus
04410-04	Prism