

Hook clamps


Material:

Carbon steel, tempered.

Version:

Form A-C: black oxidised. Shaft diameter ground.

Form D: black oxidised.

Sample order:

nIm 04372-216040

Note:

The stated clamping forces ($F_{max.}$) and tightening torques are valid within the stated clamping ranges (H_5).

Advantages:

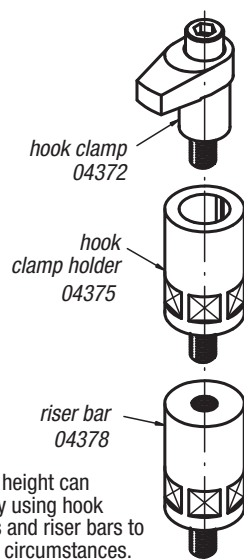
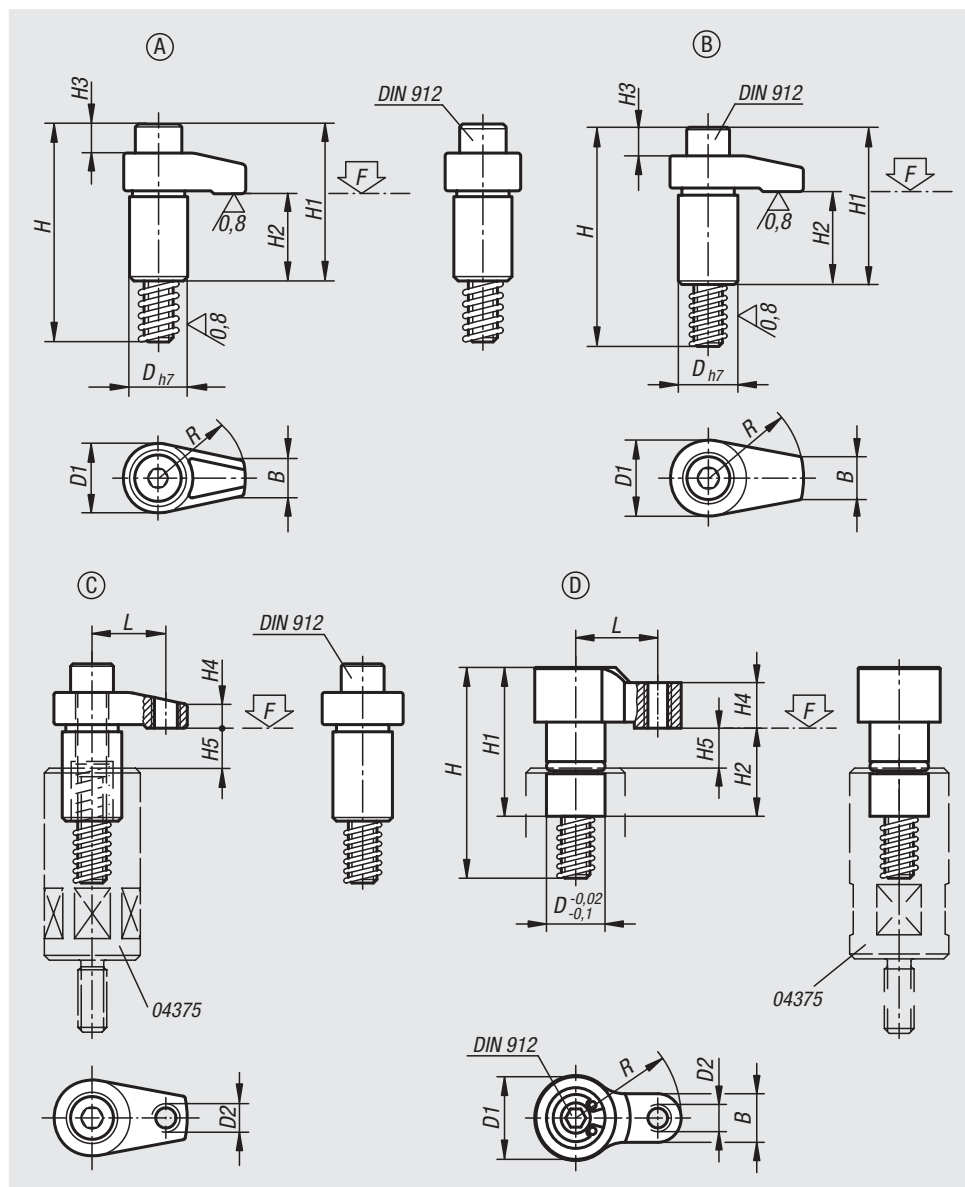
Compact design for use in the tightest of spaces
Diverse versions and sizes

Accessories:

Hook clamp holders 04375.

Hook clamp holders 04379.

Extensions for jack screws 04378.



The clamping height can be adjusted by using hook clamp holders and riser bars to suit individual circumstances.

Hook clamps



Order No.	Form	D	D1	D2	H	H1	H2	H3	H4	H5 max. clamping range	B	L	R	Socket head screw DIN 912	Tightening torque max. Nm	F max. kN
04372-110030	A	20	25	-	75	54	30	9	10	12	12	-	30	M10x65	37,2	13
04372-110040	A	20	25	-	75	54	30	9	10	12	12	-	40	M10x65	31,4	9,8
04372-208020	B	18	22	-	58	37	23	2	7	10	10	-	20	M8x50	37,2	13,6
04372-208025	B	18	22	-	58	37	23	2	7	10	10	-	25	M8x50	32,3	10,9
04372-208030	B	18	22	-	58	37	23	2	7	10	10	-	30	M8x50	29,4	9
04372-212040	B	25	32	-	92	66	39	11	12	15	18	-	40	M12x80	58,8	17,5
04372-212050	B	25	32	-	92	68	39	11	12	15	18	-	50	M12x80	49	14
04372-212060	B	25	32	-	92	68	39	11	12	15	18	-	60	M12x80	45,1	11,6
04372-216040	B	32	36	-	101	75	39	15	15	15	22	-	40	M16x85	166,6	37,9
04372-216050	B	32	36	-	101	75	39	15	15	15	22	-	50	M16x85	147	30,4
04372-216060	B	32	36	-	101	75	39	15	15	15	22	-	60	M16x85	127,4	25,2
04372-312140	C	25	32	M12	92	66	39	11	10	15	18	31	40	M12x80	58,8	22,6
04372-312150	C	25	32	M12	92	68	39	11	13	15	18	38	50	M12x80	49	18,5
04372-312160	C	25	32	M12	92	68	39	11	13	15	18	46	60	M12x80	45,1	15,2
04372-316150	C	32	36	M12	101	75	39	15	16	15	22	38	50	M16x85	147	38
04372-316160	C	32	36	M12	101	75	39	15	16	15	22	46	60	M16x85	127,4	33
04372-404118	D	10	14	M4	37	24,5	14,5	-	7,5	3	8	14	18	M4x30	2,7	2
04372-406122	D	12	16	M5	44	30,5	17,5	-	9,5	4	10	17	22	M6x35	7	3,5