

Hook clamps

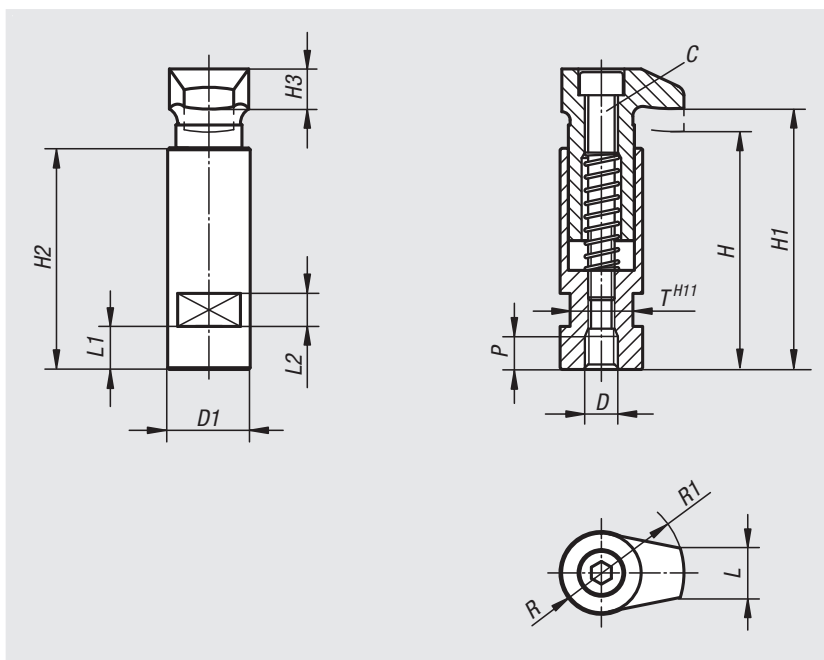
with collar



Material:
Carbon steel.

Version:
Tempered and black oxidised.

Sample order:
nlm 04371-06



Order No.	C	D	D1	H	H1	H2	H3	L	L1	L2	P	R	R1	T	Clamping force kN
04371-06	M6	M6	20	56	60	53	10	11	9	8	8	9	20	17	4,82
04371-08	M6	M8	20	56	60	53	10	11	9	8	8	9	20	17	8,77
04371-10	M8	M10	25	72	79	67	12	15	13	10	10	12	25	19	13,9
04371-12	M10	M12	32	88	96	82	16	17	18	12	12	14	32	27	20,2
04371-16	M12	M16	40	109	118	102	20	20	22	12	16	18	40	32	37,8

Hook clamps

with collar and cam lever



Material:

Body and hook, high-carbon steel.

Handles, cast aluminium EN AC-46200.

Thrust washer, fibreglass reinforced plastic PA 66 GF 35-X.

Hinge pin, stud and washer stainless steel 1.4305.

Version:

Body and hook tempered and black oxidised.

Handles, black powder-coated.

Thrust washer black.

Hinge pin, stud and washer bright.

Sample order:

nlm 04371-106

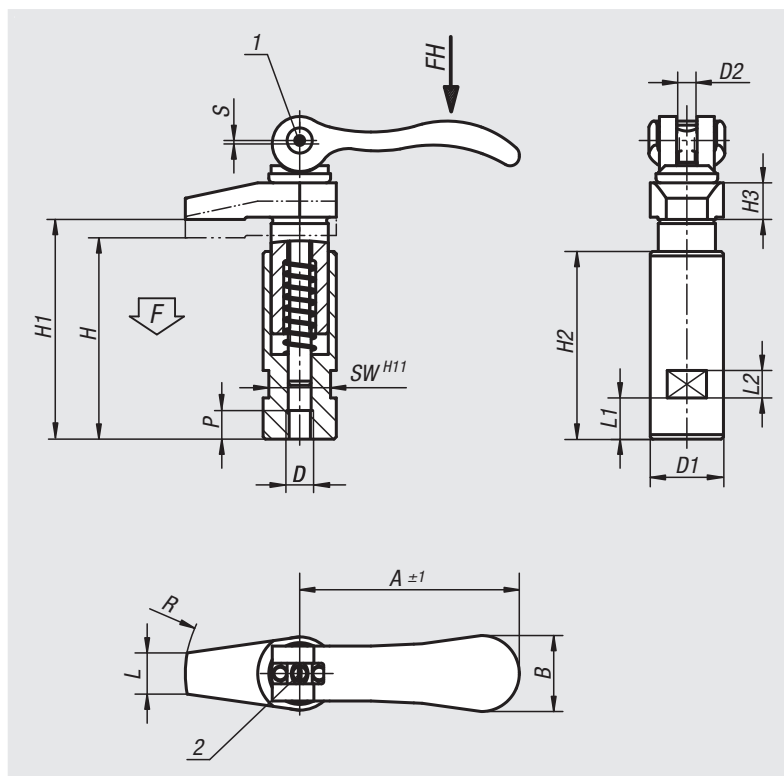
Note:

Ideal for clamping where the parts are to be inserted from above as the hook can be swivelled out of the way.

The exact clamping height is set by the fine thread on the stud using a screwdriver. This setting can be secured with the locking screw. The length S corresponds to the cam travel.

Drawing reference:

- 1) Locking screw for pin
- 2) Screw for fine adjustment of lever



Order No.	D	D1	D2	H	H1	H2	H3	L	L1	L2	A	B	P	R	SW	Travel S	F kN	Hand force FH N
04371-106	M6	20	M6x0,5	56	60	53	10	9	9	8	70,4	21,5	8	30	17	1,2	4	120
04371-108	M8	20	M6x0,5	56	60	53	10	9	9	8	70,4	21,5	8	30	17	1,2	4	120
04371-110	M10	25	M8x0,75	72	79	67	12	12	13	10	96	33,3	10	40	19	1,5	8	350
04371-112	M12	32	M8x0,75	88	96	82	15	18	18	12	96	33,3	12	50	27	1,5	8	350

Hook clamps

with collar and cam lever



Material:

Body and hook, high-carbon steel.

Handles, cast aluminium EN AC-46200.

Thrust washer, fibreglass reinforced plastic PA 66 GF 35-X.

Hinge pin, stud and washer stainless steel 1.4305.

Version:

Body and hook tempered and black oxidised.

Handles, black powder-coated.

Thrust washer black.

Hinge pin, stud and washer bright.

Sample order:

nIm 04371-208

Note:

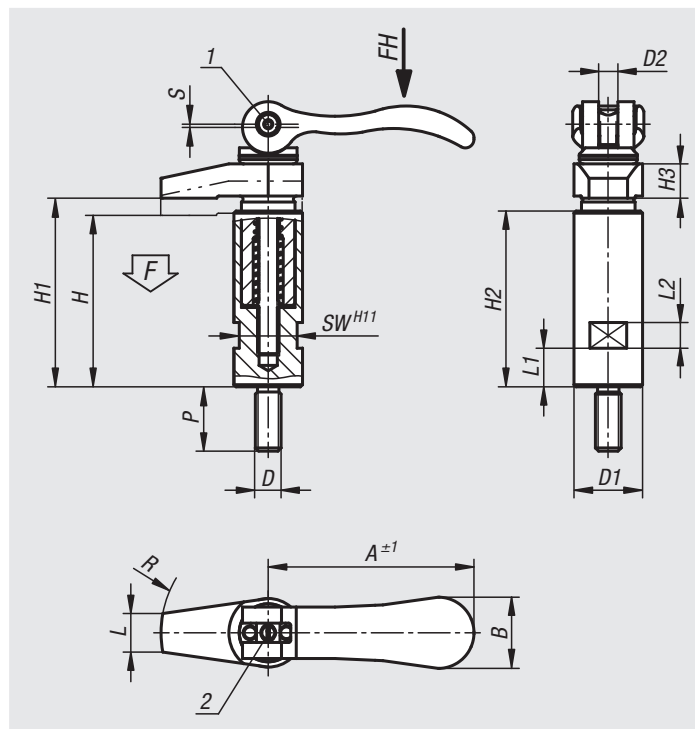
Ideal for clamping where the parts are to be inserted from above as the hook can be swivelled out of the way.

The exact clamping height is set by the fine thread on the stud using a screwdriver. This setting can be secured with the locking screw. The length S corresponds to the cam travel.

Drawing reference:

1) Locking screw for pin

2) Screw for fine adjustment of lever



Order No.	D	D1	D2	H	H1	H2	H3	L	L1	L2	A	B	P	R	SW	Travel S	F kN	Hand force FH N
04371-206	M6	20	M6x0,5	56	60	53	10	9	9	8	70,4	21,5	20	30	17	1,2	4	120
04371-208	M8	20	M6x0,5	56	60	53	10	9	9	8	70,4	21,5	20	30	17	1,2	4	120
04371-210	M10	25	M8x0,75	72	79	67	12	12	13	10	96	33,3	25	40	19	1,5	8	350
04371-212	M12	32	M8x0,75	88	96	82	18	18	18	12	96	33,3	30	50	27	1,5	8	350