

# Swing clamps



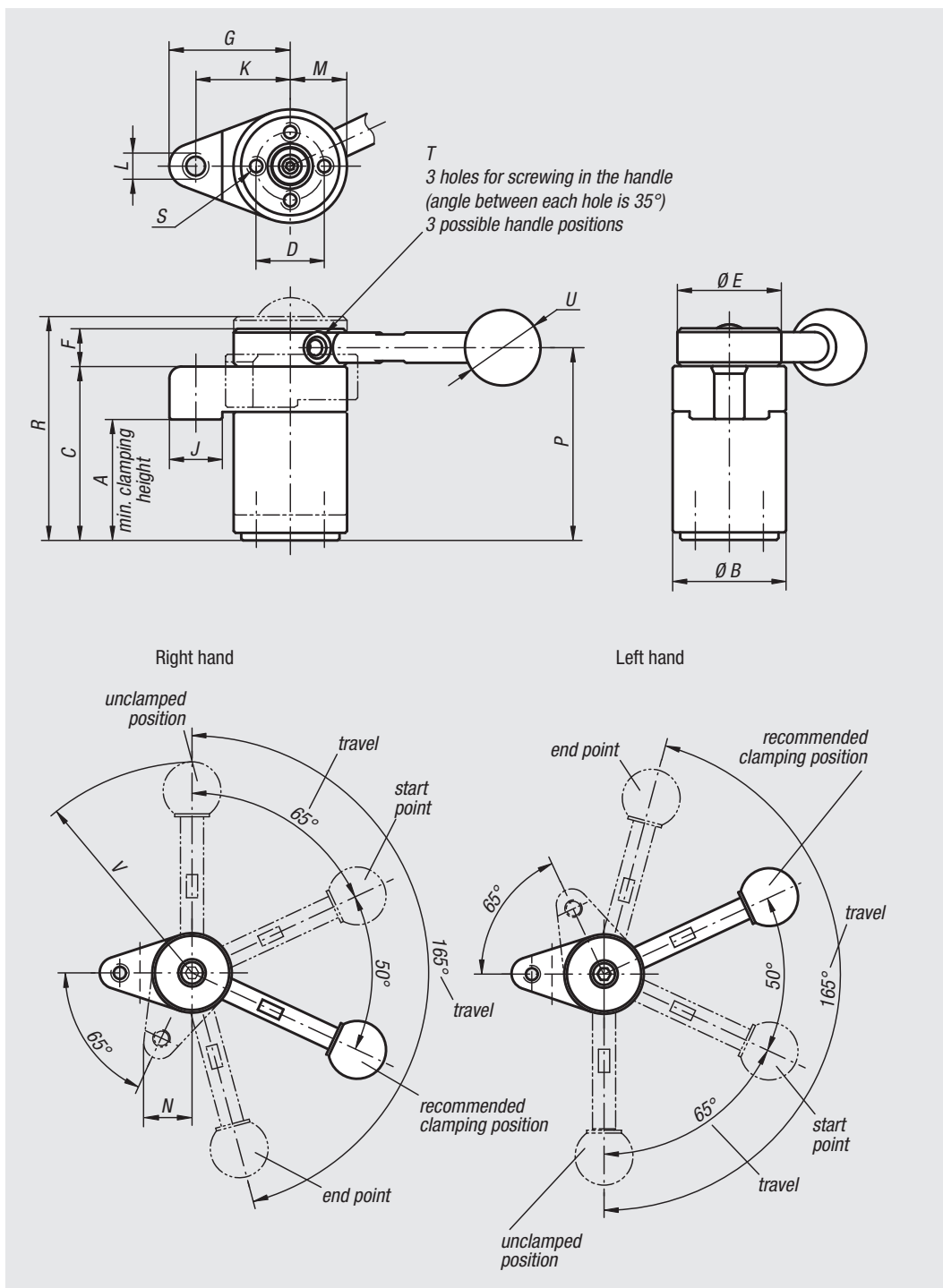
**Material:**  
Carbon steel.  
Ball knob plastic.

**Version:**  
Tempered and black oxidised.  
Ball knob thermoset PF 31, black.

**Sample order:**  
nlm 04366-013232

**Note:**  
\* Admissible hand force to operate the handle.

**Accessories:**  
Standard handles 06355.  
Screw-in handles with adjustable torque 06357.



| Order No. left | Order No. right | Grip        | A min. | A max. | B  | C  | D  | E  | F  | G  | J  | K  | L  | M  | N    | P    | R    | S     | T  | U  | V   | F=Retaining force N | Hand force FH N |
|----------------|-----------------|-------------|--------|--------|----|----|----|----|----|----|----|----|----|----|------|------|------|-------|----|----|-----|---------------------|-----------------|
| 04366-003232   | 04366-103232    | without     | 31,4   | 32,6   | 30 | 46 | 18 | 30 | 10 | 32 | 14 | 25 | M6 | 15 | 17   | 51   | 57,5 | M4x8  | M5 | -  | -   | 800                 | 150*            |
| 04366-004540   | 04366-104540    | without     | 44,1   | 45,9   | 40 | 63 | 25 | 38 | 13 | 40 | 16 | 32 | M8 | 20 | 22,5 | 69,5 | 78,1 | M6x12 | M6 | -  | -   | 1200                | 200*            |
| 04366-013232   | 04366-113232    | with handle | 31,4   | 32,6   | 30 | 46 | 18 | 30 | 10 | 32 | 14 | 25 | M6 | 15 | 17   | 51   | 57,5 | M4x8  | M5 | 20 | 73  | 800                 | 150*            |
| 04366-014540   | 04366-114540    | with handle | 44,1   | 45,9   | 40 | 63 | 25 | 38 | 13 | 40 | 16 | 32 | M8 | 20 | 22,5 | 69,5 | 78,1 | M6x12 | M6 | 25 | 107 | 1200                | 200*            |