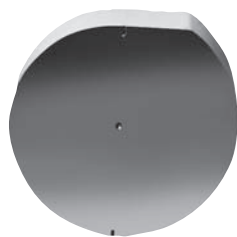


Spiral cams

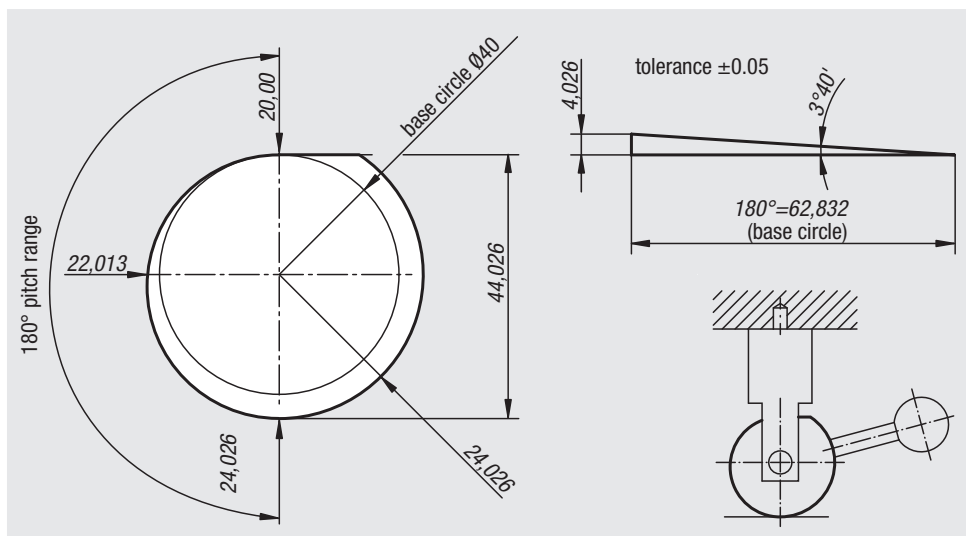


Material:
Profile steel 1.7131.

Version:
Saw cut and deburred.
Centre is centre-punched.
Start and end of spiral is marked.

Sample order:
nlm 04360-14

Note:
Spiral cams are used where something must be self-locking clamped or secured.
The cam is operated mechanically, pneumatically or hydraulically using a shaft through the centre or a lever fastened to the side. By pressure failure the self-locking effect is still operative leading to much higher operating safety by pneumatic and hydraulic clamping.



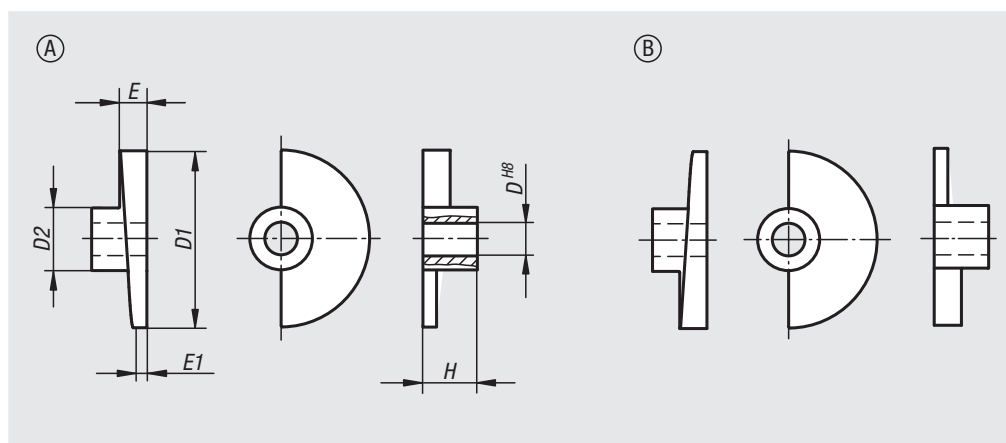
Order No.	base circle Ø	disc thickness
04360-14	40	14
04360-20	40	20

Door latch



Material:
Sintered steel

Sample order:
nlm 04362-108



Order No. Form A right	Order No. Form B left	D	D1	D2	E	E1	H
04362-108	04362-208	8	35	18	7	3	15
04362-110	04362-210	10	35	18	7	3	15
04362-112	04362-212	12	65	23	7	5	20
04362-116	04362-216	16	80	27	9	6	24