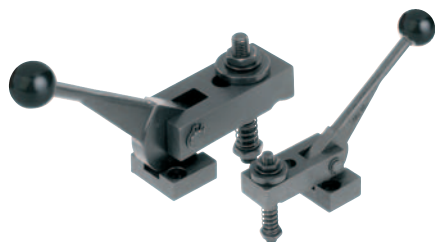


Cam clamps

with end lock

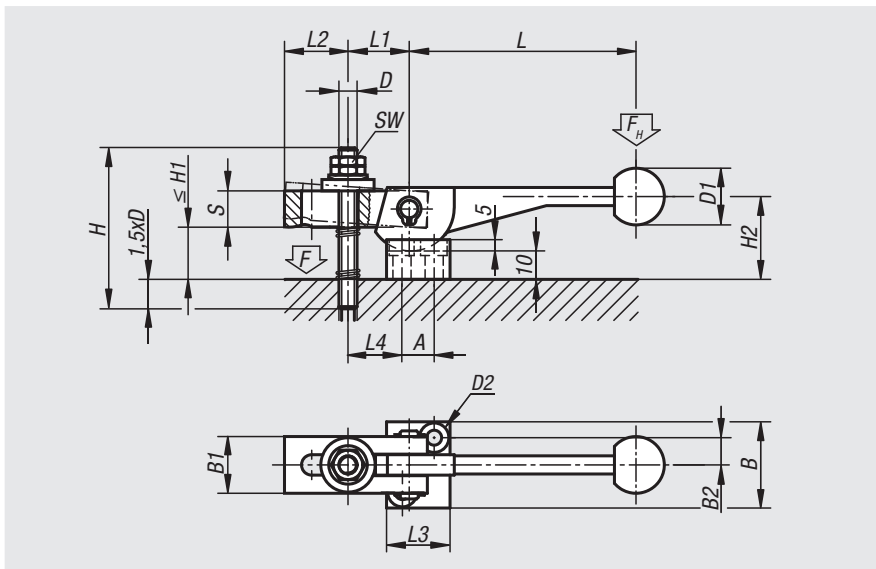
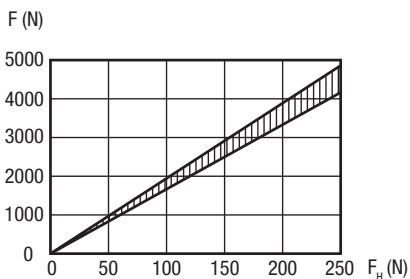


Material:
Cam lever carbon steel 1.7220.
Strap carbon steel 1.1191.

Version:
Black oxidised.

Sample order:
nlm 04330-10

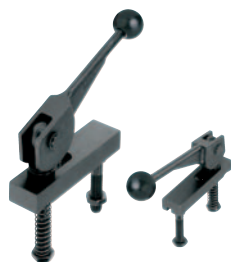
Force diagram



Order No.	L	L1	L2	L3	L4	B	B1	B2	S	H	H1	H2	D	D1	D2	A	SW
04330-08	104±2	27	28	28	27	38	25	12	16	70	25	34	M8	25	7	14	13
04330-10	123±2	34	36	32	35	41	32	13,5	20	80	24	40	M10	30	7	16	17
04330-12	146±3	43	45	37	45	43	40	14,5	25	100	31	48	M12	30	7	19	19

Cam clamps

with middle lock

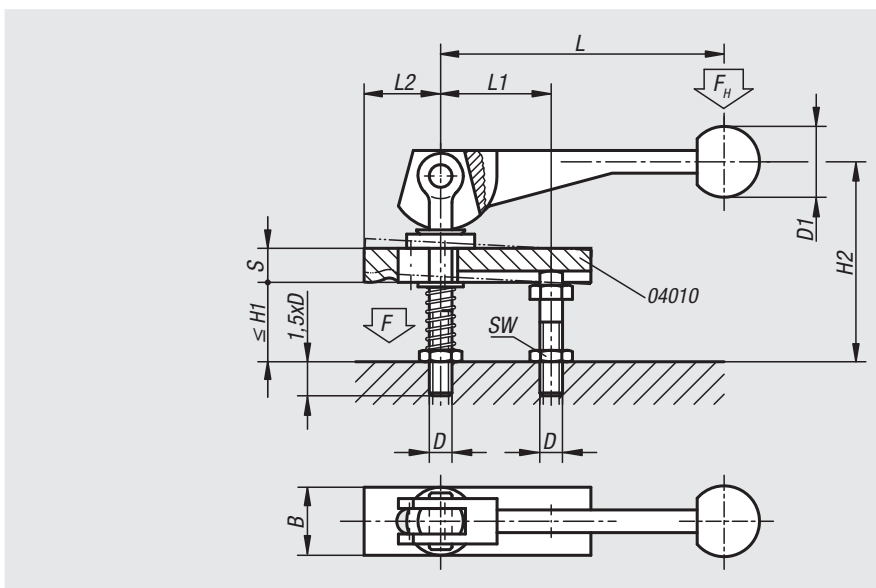
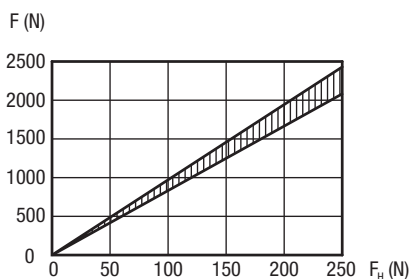


Material:
Cam lever carbon steel 1.7220.
Strap carbon steel 1.1191

Version:
Black oxidised.

Sample order:
nlm 04350-12

Force diagram



Order No.	L	L1	L2	B	S	H1	H2	D	D1	SW
04350-08	104±2	39	37	20	12	28	74	M8	25	13
04350-10	123±2	49	46	25	16	39	92	M10	30	17
04350-12	146±3	61	58	32	20	49	120	M12	30	19