

## Cam levers single



**Material:**

Carbon steel 1.7220.  
Ball grip plastic.

**Version:**

Tempered and black oxidised.

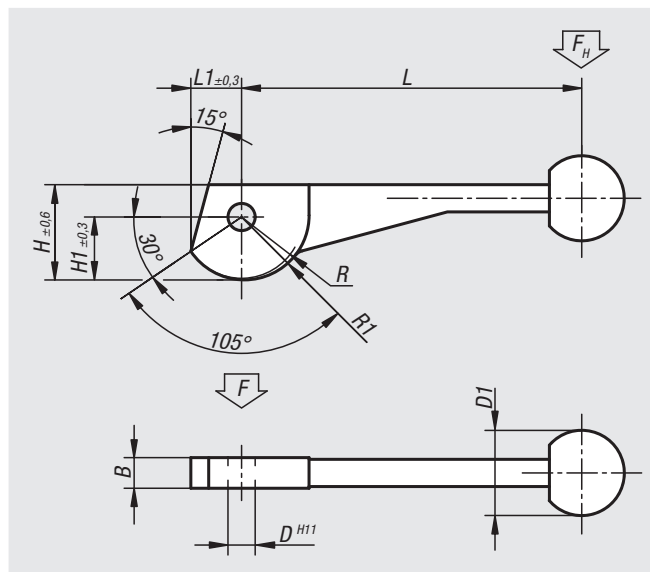
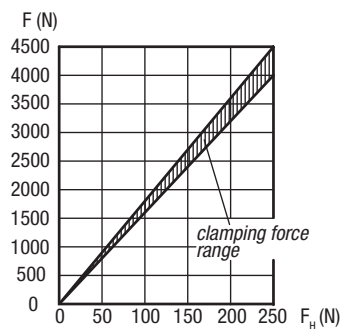
**Sample order:**

nIm 04290-10

**Note:**

Suitable hinge pin see 04250.  
The cam lever is an eccentric lever that moves along a logarithmic spiral. Its clamping properties are even over the entire contact surface of the cam.

Force diagram



Order No.	L	L1	B	H	H1	D	D1	R	R1
04290-08	104±2	14,9	9	28,2	18,7	8	25	17,2	19,2
04290-10	123±2	18,6	12	34,8	23,3	10	30	21,5	24
04290-12	146±3	24,3	14	43,8	30,3	12	30	28	31,2

## Cam levers double



**Material:**

Carbon steel 1.7220.  
Ball grip plastic.

**Version:**

Tempered and black oxidised.

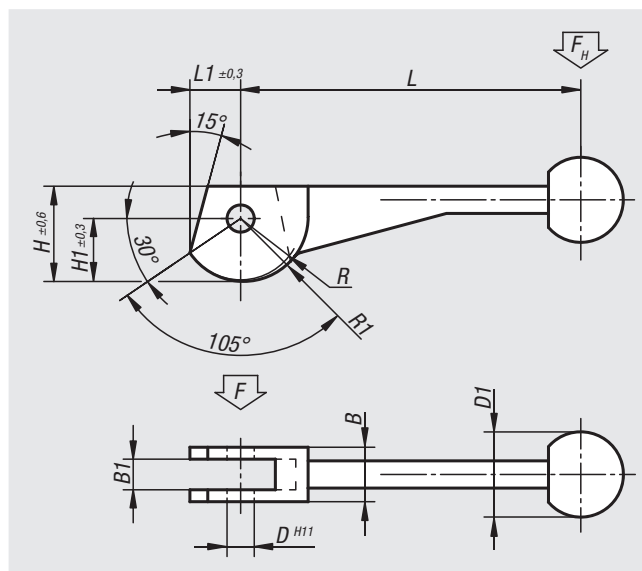
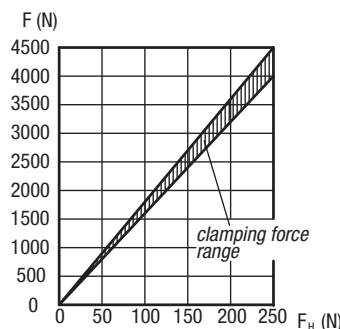
**Sample order:**

nIm 04310-12

**Note:**

Suitable hinge pin see 04250.  
The cam lever is an eccentric lever that moves along a logarithmic spiral. Its clamping properties are even over the entire contact surface of the cam.

Force diagram



Order No.	L	L1	B	B1	H	H1	D	D1	R	R1
04310-08	104±2	14,9	16	9	28,2	18,7	8	25	17,2	19,2
04310-10	123±2	18,6	20	12	34,8	23,3	10	30	21,5	24
04310-12	146±3	24,3	25	14	43,8	30,3	12	30	28	31,2