

Cam levers adjustable

external thread, steel or stainless steel



Material:

Handles cast aluminium EN AC-46200.

Thrust washer fibreglass reinforced plastic PA 66 GF 35-X.

Hinge pins 1.4305 stainless steel.

Screw and washer steel grade 5.8 or 1.4305 stainless steel.

Version:

Handles fine structured powder-coated, black or red RAL 3003.

Thrust washer black.

Hinge pin bright.

Studs and washer blue passivated steel or bright stainless steel.

Sample order:

nIm 04233-1501105X20 (include length L)

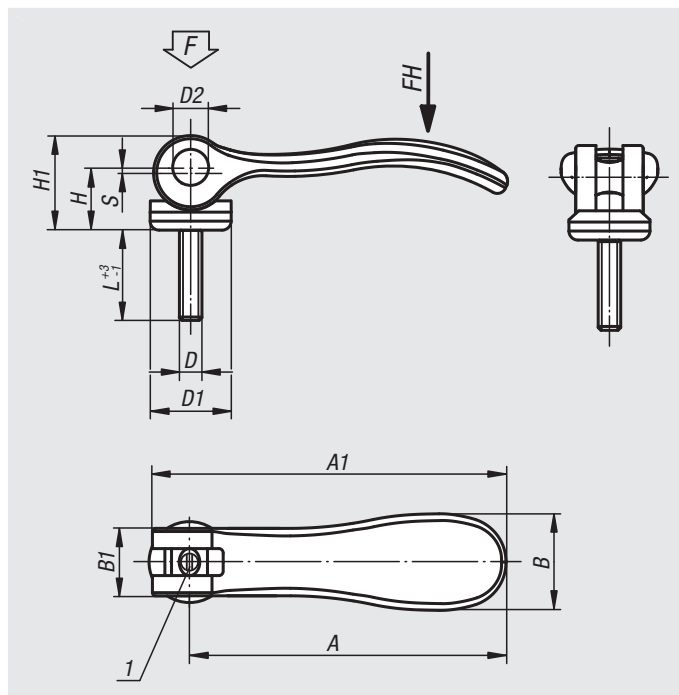
Note:

Adjustable cam levers are used if the position of the lever relative to the axis of tension only permits one specific position (interference circle). The exact position of the lever is adjusted using a screwdriver on the fine thread setscrew.

Plastics are subject to creeping under load (retardation).

Drawing reference:

1) setscrew for fine adjustment of lever



Adjustable cam levers with external thread, grip black

Order No. steel	Order No. stainless steel	D	D1	D2	B	B1	H	H1	A	A1	L	Travel S	Clamping force F (kN)	Hand force FH N
04233-9501103X	04233-9511103X	M3	12	6	14,4	11,5	9	13	36,2	41,7	10/15/30	1	1,5	90
04233-9501104X	04233-9511104X	M4	12	6	14,4	11,5	9	13	36,2	41,7	10/15/30	1	1,5	90
04233-0501104X	04233-0511104X	M4	15,4	8	18	13	11,2	17	52,3	59,1	15/20/30	1	2,5	100
04233-0501105X	04233-0511105X	M5	15,4	8	18	13	11,2	17	52,3	59,1	20/30/40/50	1	2,5	100
04233-1501105X	04233-1511105X	M5	18,1	9	21,5	15	14,5	22	70,4	79,2	20/30/40/50	1,2	4	120
04233-1501106X	04233-1511106X	M6	18,1	9	21,5	15	14,5	22	70,4	79,2	20/30/40/50	1,2	4	120
04233-2501108X	04233-2511108X	M8	27,1	11	33,3	24	18	28,5	96	108	25/30/40/50	1,5	8	350
04233-2501110X	04233-2511110X	M10	27,1	11	33,3	24	18	28,5	96	108	25/30/40/50	1,5	8	350

Adjustable cam levers with external thread, grip red

Order No. steel	Order No. stainless steel	D	D1	D2	B	B1	H	H1	A	A1	L	Travel S	Clamping force F (kN)	Hand force FH N
04233-9501403X	04233-9511403X	M3	12	6	14,4	11,5	9	13	36,2	41,7	10/15/30	1	1,5	90
04233-9501404X	04233-9511404X	M4	12	6	14,4	11,5	9	13	36,2	41,7	10/15/30	1	1,5	90
04233-0501404X	04233-0511404X	M4	15,4	8	18	13	11,2	17	52,3	59,1	15/20/30	1	2,5	100
04233-0501405X	04233-0511405X	M5	15,4	8	18	13	11,2	17	52,3	59,1	20/30/40/50	1	2,5	100
04233-1501405X	04233-1511405X	M5	18,1	9	21,5	15	14,5	22	70,4	79,2	20/30/40/50	1,2	4	120
04233-1501406X	04233-1511406X	M6	18,1	9	21,5	15	14,5	22	70,4	79,2	20/30/40/50	1,2	4	120
04233-2501408X	04233-2511408X	M8	27,1	11	33,3	24	18	28,5	96	108	25/30/40/50	1,5	8	350
04233-2501410X	04233-2511410X	M10	27,1	11	33,3	24	18	28,5	96	108	25/30/40/50	1,5	8	350

Cam levers adjustable

steel, with external thread



Material:

Handle steel 1.0401.

Thrust washer plastic PA 66 GF 35-X fibreglass reinforced.

Hinge pin stainless steel 1.4305.

Stud and washer steel, grade 5.8.

Version:

Handle, stud and washer trivalent blue passivated.

Thrust washer black.

Hinge pin bright.

Sample order:

nIm 04233-1502205X20

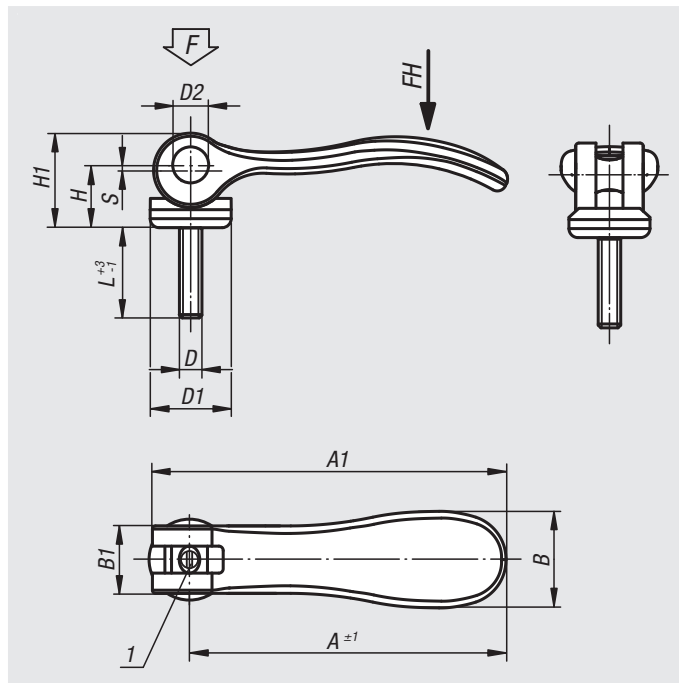
Note:

Adjustable cam levers are used if the position of the lever relative to the axis of tension only permits one specific position (interference circle). The exact position of the lever is adjusted using a screwdriver on the fine thread setscrew.

Plastics are subject to creeping under load (retardation).

Drawing reference:

1) setscrew for fine adjustment of lever



Order No.	D	D1	D2	B	B1	H	H1	A	A1	L	Travel S	Clamping force F (kN)	Hand force FH N
04233-1502205X	M5	18,1	9	21,5	15	14,5	22	70,4	79,2	20/30/40/50	1,2	4	120
04233-1502206X	M6	18,1	9	21,5	15	14,5	22	70,4	79,2	20/30/40/50	1,2	4	120
04233-2502208X	M8	27,1	11	33,2	24	18	28,5	96	108	25/30/40/50	1,5	8	350
04233-2502210X	M10	27,1	11	33,2	24	18	28,5	96	108	25/30/40/50	1,5	8	350

Cam levers adjustable

external thread, stainless steel



Material:

Handles 1.4308 stainless steel.

Thrust washer plastic PA 66 GF 35-X, fibreglass reinforced.

Hinge pin, washer and screw 1.4305 stainless steel.

Version:

Handle electropolished or blasted.

Thrust washer black.

Hinge pin, washer and screw bright.

Sample order:

nIm 04233-1512005X20 (include length L)

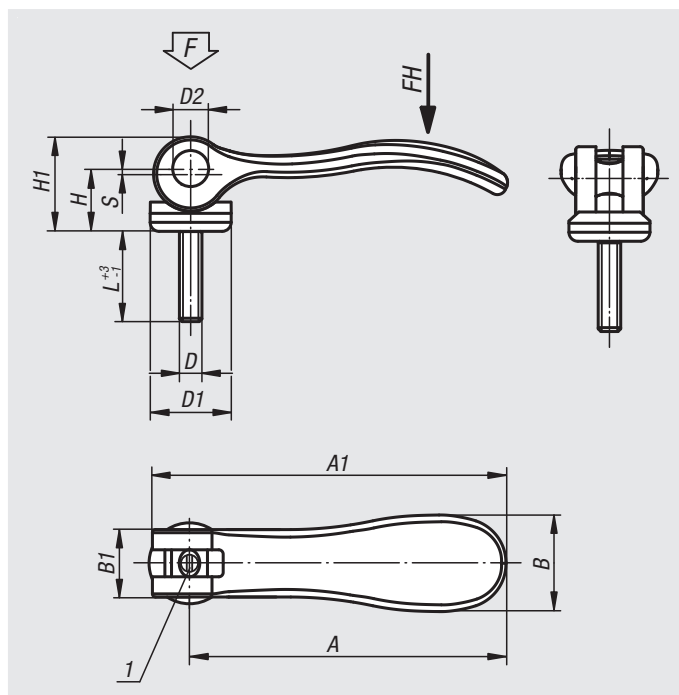
Note:

Adjustable cam levers are used if the position of the lever relative to the axis of tension only permits one specific position (interference circle). The exact position of the lever is adjusted using a screwdriver on the fine thread setscrew.

Plastics are subject to creeping under load (retardation).

Drawing reference:

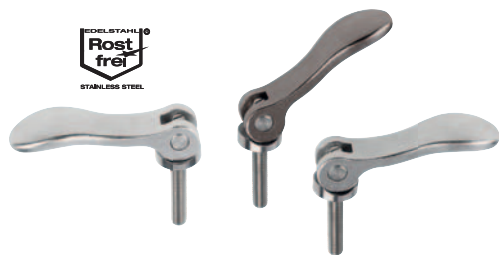
1) setscrew for fine adjustment of lever



Order No.	Main colour	D	D1	D2	B	B1	H	H1	A	A1	L	Travel S	Clamping force F (kN)	Hand force FH N
04233-9512003X	-	M3	12	6	14,4	11,5	9	13	36,2	41,7	10/15/30/10/15/30	1	1,5	90
04233-9512004X	-	M4	12	6	14,4	11,5	9	13	36,2	41,7	10/15/30/10/15/30	1	1,5	90
04233-0512004X	-	M4	15,4	8	18	13	11,2	17	52,3	59,1	15/20/30/15/20/30	1	2,5	100
04233-0512005X	-	M5	15,4	8	18	13	11,2	17	52,3	59,1	20/30/40/50/20/30/40/50	1	2,5	100
04233-1512005X	-	M5	18,1	9	21,5	15	14,5	22	70,4	79,2	20/30/40/50/20/30/40/50	1,2	4	120
04233-1512006X	-	M6	18,1	9	21,5	15	14,5	22	70,4	79,2	20/30/40/50/20/30/40/50	1,2	4	120
04233-2512008X	-	M8	27,1	11	33,3	24	18	28,5	96	108,2	25/30/40/50/25/30/40/50	1,5	8	350
04233-2512010X	-	M10	27,1	11	33,3	24	18	28,5	96	108,2	25/30/40/50/25/30/40/50	1,5	8	350

Cam levers adjustable

external thread, stainless steel, thrust washer stainless steel



Material:

Handle 1.4308 stainless steel.

Thrust washer 1.4034 stainless steel, hardened.

Hinge pin and stud 1.4305 stainless steel.

Version:

Handle electropolished or blasted.

Thrust washer, hinge pin and screw bright.

Sample order:

nIm 04233-0541305X20 (include length L)

Note:

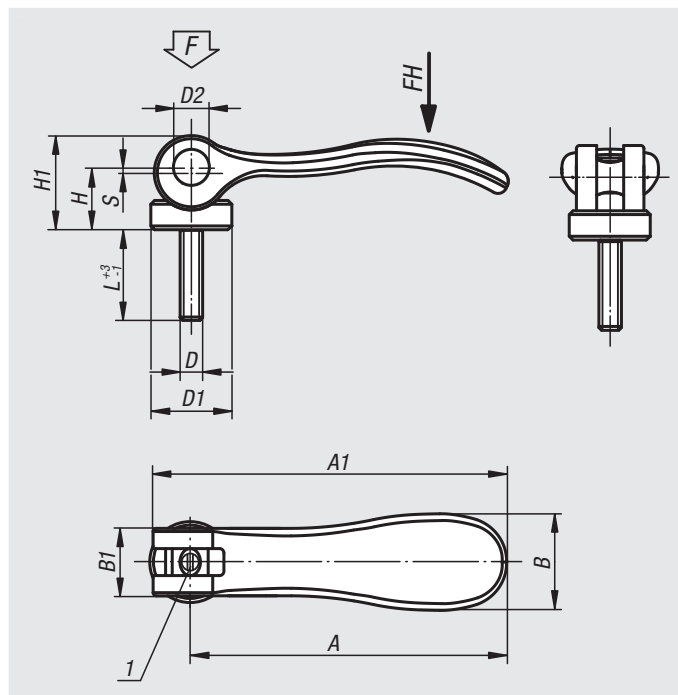
Adjustable cam levers are used when the position of the clamping lever relative to the clamping axis permits only one specific position (swing circle interference). The exact position of the clamping lever is adjusted with a screwdriver via the fine thread on the stud.

The thrust washer face is lightly greased before delivery.

The grease is FDA conform and is suitable for use in the foodstuff and pharmaceutical industries.

Drawing reference:

1) setscrew for fine adjustment of lever



Order No.	D	D1	D2	B	B1	H	H1	A	A1	L	Travel S	Clamping force F (kN)	Hand force FH N
04233-9541003X	M3	12	6	14,4	11,5	9	13,5	36,2	41,7	10/15/30	1	1,5	90
04233-9541004X	M4	12	6	14,4	11,5	9	13,5	36,2	41,7	10/15/30	1	1,5	90
04233-0541004X	M4	15,4	8	18	13	11,4	17,2	52,3	59,1	15/20/30	1	2,5	100
04233-0541005X	M5	15,4	8	18	13	11,4	17,2	52,3	59,1	20/30/40/50	1	2,5	100
04233-1541005X	M5	18	9	21,5	15	14,7	22	70,4	79,2	20/30/40/50	1,2	4	120
04233-1541006X	M6	18	9	21,5	15	14,7	22	70,4	79,2	20/30/40/50	1,2	4	120
04233-2541008X	M8	27	11	33,3	24	18,3	28,8	96	108	25/30/40/50	1,5	8	350
04233-2541010X	M10	27	11	33,3	24	18,3	28,8	96	108	25/30/40/50	1,5	8	350

Cam levers adjustable with plastic handle

external thread, steel or stainless steel



Material:

Handles and thrust washer fiberglass reinforced plastic PA 66.

Hinge pins 1.4305 stainless steel.

Screw and washer steel quality class 5.8 or 1.4305 stainless steel.

Version:

Grip black or traffic red RAL3020.

Thrust washer black.

Hinge pin bright.

Stud and washer trivalent blue passivated or bright stainless steel.

Sample order:

nIm 04233-1521105X20 (include length L)

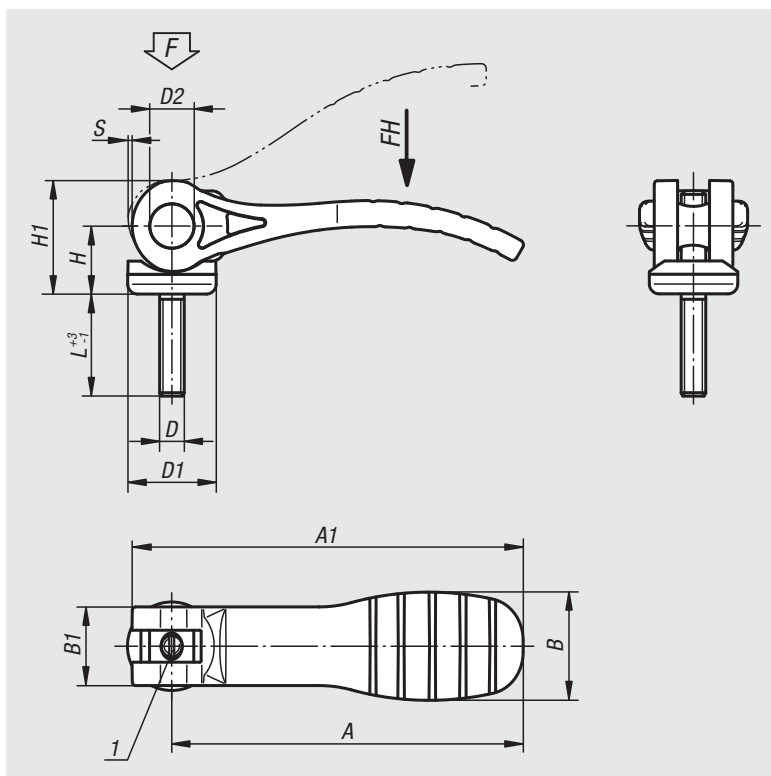
Note:

Adjustable cam levers are used if the position of the lever relative to the axis of tension only permits one specific position (interference circle). The exact position of the lever is adjusted using a screwdriver on the fine thread setscrew.

Plastics are subject to creeping under load (retardation), this can cause reduced clamping force.

Drawing reference:

1) setscrew for fine adjustment of lever



Cam levers, adjustable with black plastic grip and external thread

Order No. steel	Order No. stainless steel	D	D1	D2	B	B1	H	H1	A	A1	L	Travel S	Clamping force F (kN)	Hand force FH N
04233-1521105X	04233-1531105X	M5	18,1	9	22	16	14	23,4	71,5	79,6	20/30/40/50	1,15	2,5	125
04233-1521106X	04233-1531106X	M6	18,1	9	22	16	14	23,4	71,5	79,6	20/30/40/50	1,15	2,5	125
04233-2521108X	04233-2531108X	M8	27,1	11	33	24	16,2	27,7	100	110	25/30/40/50	1,5	5	170
04233-2521110X	04233-2531110X	M10	27,1	11	33	24	16,2	27,7	100	110	25/30/40/50	1,5	5	170

Cam levers, adjustable with red plastic grip and external thread

Order No. steel	Order No. stainless steel	D	D1	D2	B	B1	H	H1	A	A1	L	Travel S	Clamping force F (kN)	Hand force FH N
04233-15218405X	04233-15318405X	M5	18,1	9	22	16	14	23,4	71,5	79,6	20/30/40/50	1,15	2,5	125
04233-15218406X	04233-15318406X	M6	18,1	9	22	16	14	23,4	71,5	79,6	20/30/40/50	1,15	2,5	125
04233-25218408X	04233-25318408X	M8	27,1	11	33	24	16,2	27,7	100	110	25/30/40/50	1,5	5	170
04233-25218410X	04233-25318410X	M10	27,1	11	33	24	16,2	27,7	100	110	25/30/40/50	1,5	5	170