

## Cam levers

internal and external thread, steel or stainless steel



### Material:

Handles cast aluminum EN AC-46200.

Thrust washer plastic PA 66 GF 35-X fibreglass reinforced.

Hinge pin stainless steel 1.4305.

Studs and washer steel grade 5.8 or stainless steel 1.4305.

### Version:

Handles fine structured powder-coated, black or red RAL 3003.

Thrust washer black.

Hinge pin bright.

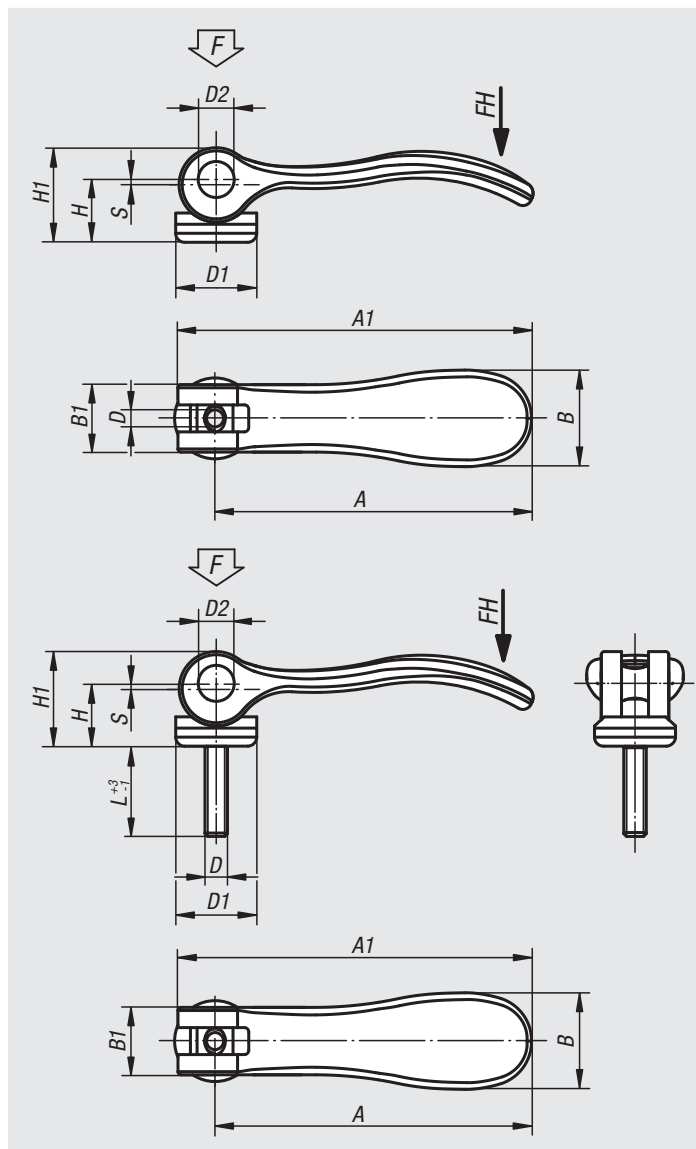
Studs and washer blue passivated steel or bright stainless steel.

### Sample order:

nIm 04232-1501105X20 (include length L)

### Note:

Plastics are subject to creeping under load (retardation).



# Cam levers

internal and external thread, steel or stainless steel

## Cam levers with internal thread, grip black

Order No. steel	Order No. stainless steel	D	D1	D2	B	B1	H	H1	A	A1	Travel S	Clamping force F (kN)	Hand force FH N
04232-9501103	04232-9511103	M3	12	6	14,4	11,5	9	13	36,2	41,7	1	1,5	90
04232-9501104	04232-9511104	M4	12	6	14,4	11,5	9	13	36,2	41,7	1	1,5	90
04232-0501104	04232-0511104	M4	15,4	8	18	13	11,2	17	52,3	59,1	1	2,5	100
04232-0501105	04232-0511105	M5	15,4	8	18	13	11,2	17	52,3	59,1	1	2,5	100
04232-1501105	04232-1511105	M5	18,1	9	21,5	15	14,5	22	70,4	79,2	1,2	4	120
04232-1501106	04232-1511106	M6	18,1	9	21,5	15	14,5	22	70,4	79,2	1,2	4	120
04232-2501108	04232-2511108	M8	27,1	11	33,3	24	18	28,5	96	108	1,5	8	350

## Cam levers with internal thread, grip red

Order No. steel	Order No. stainless steel	D	D1	D2	B	B1	H	H1	A	A1	Travel S	Clamping force F (kN)	Hand force FH N
04232-9501403	04232-9511403	M3	12	6	14,4	11,5	9	13	36,2	41,7	1	1,5	90
04232-9501404	04232-9511404	M4	12	6	14,4	11,5	9	13	36,2	41,7	1	1,5	90
04232-0501404	04232-0511404	M4	15,4	8	18	13	11,2	17	52,3	59,1	1	2,5	100
04232-0501405	04232-0511405	M5	15,4	8	18	13	11,2	17	52,3	59,1	1	2,5	100
04232-1501405	04232-1511405	M5	18,1	9	21,5	15	14,5	22	70,4	79,2	1,2	4	120
04232-1501406	04232-1511406	M6	18,1	9	21,5	15	14,5	22	70,4	79,2	1,2	4	120
04232-2501408	04232-2511408	M8	27,1	11	33,3	24	18	28,5	96	108	1,5	8	350

## Cam levers with external thread, grip black

Order No. steel	Order No. stainless steel	D	D1	D2	B	B1	H	H1	A	A1	L	Travel S	Clamping force F (kN)	Hand force FH N
04232-9501103X	04232-9511103X	M3	12	6	14,4	11,5	9	13	36,2	41,7	10/15/30	1	1,5	90
04232-9501104X	04232-9511104X	M4	12	6	14,4	11,5	9	13	36,2	41,7	10/15/30	1	1,5	90
04232-0501104X	04232-0511104X	M4	15,4	8	18	13	11,2	17	52,3	59,1	15/20/30	1	2,5	100
04232-0501105X	04232-0511105X	M5	15,4	8	18	13	11,2	17	52,3	59,1	20/30/40/50	1	2,5	100
04232-1501105X	04232-1511105X	M5	18,1	9	21,5	15	14,5	22	70,4	79,2	20/30/40/50	1,2	4	120
04232-1501106X	04232-1511106X	M6	18,1	9	21,5	15	14,5	22	70,4	79,2	20/30/40/50	1,2	4	120
04232-2501108X	04232-2511108X	M8	27,1	11	33,3	24	18	28,5	96	108	25/30/40/50	1,5	8	350
04232-2501110X	04232-2511110X	M10	27,1	11	33,3	24	18	28,5	96	108	25/30/40/50	1,5	8	350

## Cam levers with external thread, grip red

Order No. steel	Order No. stainless steel	D	D1	D2	B	B1	H	H1	A	A1	L	Travel S	Clamping force F (kN)	Hand force FH N
04232-9501403X	04232-9511403X	M3	12	6	14,4	11,5	9	13	36,2	41,7	10/15/30	1	1,5	90
04232-9501404X	04232-9511404X	M4	12	6	14,4	11,5	9	13	36,2	41,7	10/15/30	1	1,5	90
04232-0501404X	04232-0511404X	M4	15,4	8	18	13	11,2	17	52,3	59,1	15/20/30	1	2,5	100
04232-0501405X	04232-0511405X	M5	15,4	8	18	13	11,2	17	52,3	59,1	20/30/40/50	1	2,5	100
04232-1501405X	04232-1511405X	M5	18,1	9	21,5	15	14,5	22	70,4	79,2	20/30/40/50	1,2	4	120
04232-1501406X	04232-1511406X	M6	18,1	9	21,5	15	14,5	22	70,4	79,2	20/30/40/50	1,2	4	120
04232-2501408X	04232-2511408X	M8	27,1	11	33,3	24	18	28,5	96	108	25/30/40/50	1,5	8	350
04232-2501410X	04232-2511410X	M10	27,1	11	33,3	24	18	28,5	96	108	25/30/40/50	1,5	8	350

## Cam levers steel

with internal and external thread



### Material:

Handle steel 1.0401.

Thrust washer plastic PA 66 GF 35-X fibreglass reinforced.

Hinge pin stainless steel 1.4305.

Stud and washer steel, grade 5.8.

### Version:

Handle, stud and washer trivalent blue passivated.

Thrust washer black.

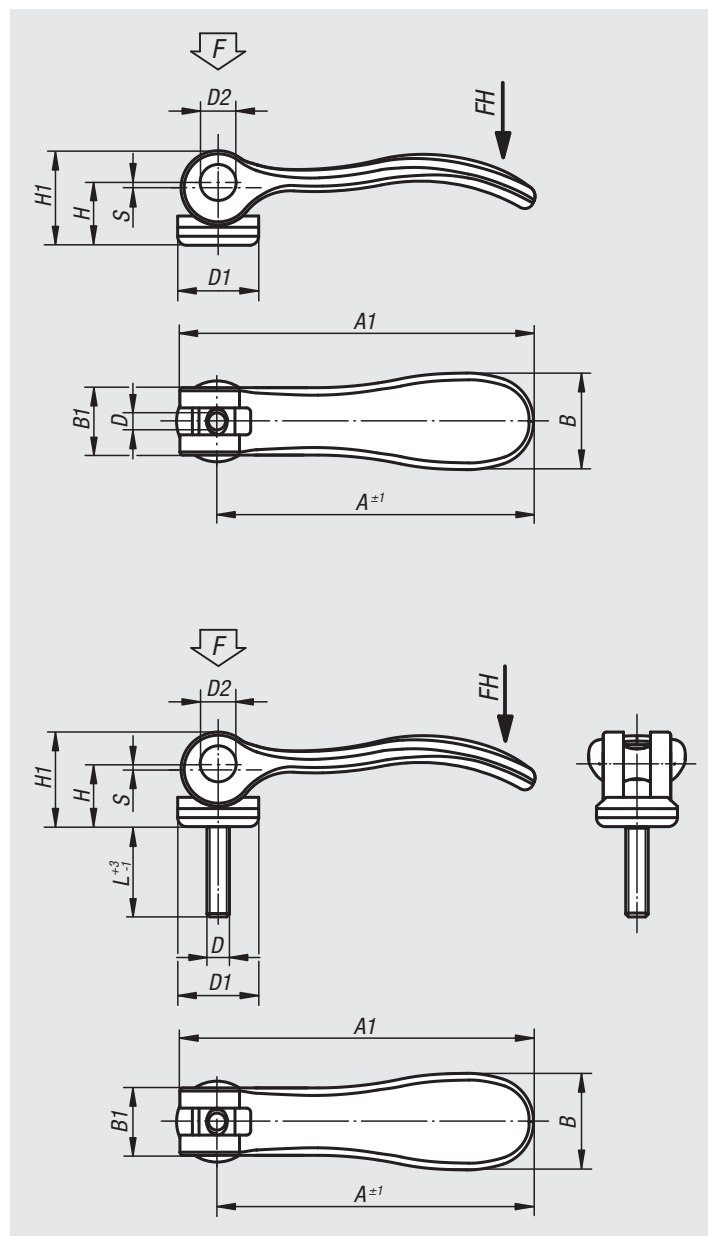
Hinge pin bright.

### Sample order:

nIm 04232-1502205

### Note:

Plastics are subject to creeping under load (retardation).



### Cam levers with internal thread, steel

Order No.	D	D1	D2	B	B1	H	H1	A	A1	Travel S	Clamping force F (kN)	Hand force FH N
04232-1502205	M5	18,1	9	21,5	15	14,5	22	70,4	79,2	1,2	4	120
04232-1502206	M6	18,1	9	21,5	15	14,5	22	70,4	79,2	1,2	4	120
04232-2502208	M8	27,1	11	33,2	24	18	28,5	96	108	1,5	8	350

### Cam levers with external thread, steel

Order No.	D	D1	D2	B	B1	H	H1	A	A1	L	Travel S	Clamping force F (kN)	Hand force FH N
04232-1502205X	M5	18,1	9	21,5	15	14,5	22	70,4	79,2	20/30/40/50	1,2	4	120
04232-1502206X	M6	18,1	9	21,5	15	14,5	22	70,4	79,2	20/30/40/50	1,2	4	120
04232-2502208X	M8	27,1	11	33,2	24	18	28,5	96	108	25/30/40/50	1,5	8	350
04232-2502210X	M10	27,1	11	33,2	24	18	28,5	96	108	25/30/40/50	1,5	8	350

## Cam levers

internal and external thread, stainless steel



### Material:

Handles 1.4308 stainless steel.

Thrust washer plastic PA 66 GF 35-X, fibreglass reinforced.

Hinge pin, washer and screw 1.4305 stainless steel.

### Version:

Handle electropolished or blasted.

Thrust washer black.

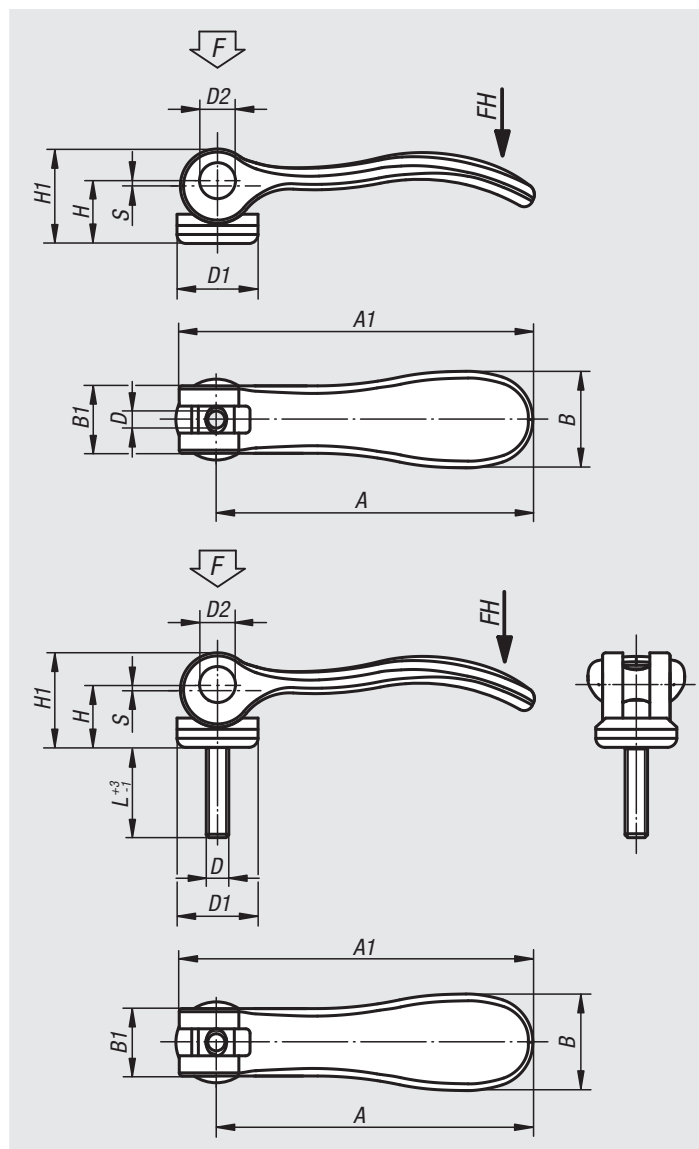
Hinge pin, washer and screw bright.

### Sample order:

nIm 04232.1512005X20 (include length L)

### Note:

Plastics are subject to creeping under load (retardation).



# Cam levers

internal and external thread, stainless steel

## Cam levers with internal thread, stainless steel

Order No.	Surface finish body	D	D1	D2	B	B1	H	H1	A	A1	Travel S	Clamping force F (kN)	Hand force FH N
04232-9512003	electropolished	M3	12	6	14,4	11,5	9	13	36,2	41,7	1	1,5	90
04232-9512004	electropolished	M4	12	6	14,4	11,5	9	13	36,2	41,7	1	1,5	90
04232-0512004	electropolished	M4	15,4	8	18	13	11,2	17	52,3	59,1	1	2,5	100
04232-0512005	electropolished	M5	15,4	8	18	13	11,2	17	52,3	59,1	1	2,5	100
04232-1512005	electropolished	M5	18,1	9	21,5	15	14,5	22	70,4	79,2	1,2	4	120
04232-1512006	electropolished	M6	18,1	9	21,5	15	14,5	22	70,4	79,2	1,2	4	120
04232-2512008	electropolished	M8	27,1	11	33,3	24	18	28,5	96	108	1,5	8	350
04232-9512303	blasted	M3	12	6	14,4	11,5	9	13	36,2	41,7	1	1,5	90
04232-9512304	blasted	M4	12	6	14,4	11,5	9	13	36,2	41,7	1	1,5	90
04232-0512304	blasted	M4	15,4	8	18	13	11,2	17	52,3	59,1	1	2,5	100
04232-0512305	blasted	M5	15,4	8	18	13	11,2	17	52,3	59,1	1	2,5	100
04232-1512305	blasted	M5	18,1	9	21,5	15	14,5	22	70,4	79,2	1,2	4	120
04232-1512306	blasted	M6	18,1	9	21,5	15	14,5	22	70,4	79,2	1,2	4	120
04232-2512308	blasted	M8	27,1	11	33,3	24	18	28,5	96	108	1,5	8	350

## Cam levers with external thread, stainless steel

Order No.	Surface finish body	D	D1	D2	B	B1	H	H1	A	A1	L	Travel S	Clamping force F (kN)	Hand force FH N
04232-9512003X	electropolished	M3	12	6	14,4	11,5	9	13	36,2	41,7	10/15/30	1	1,5	90
04232-9512004X	electropolished	M4	12	6	14,4	11,5	9	13	36,2	41,7	10/15/30	1	1,5	90
04232-0512004X	electropolished	M4	15,4	8	18	13	11,2	17	52,3	59,1	15/20/30	1	2,5	100
04232-0512005X	electropolished	M5	15,4	8	18	13	11,2	17	52,3	59,1	20/30/40/50	1	2,5	100
04232-1512005X	electropolished	M5	18,1	9	21,5	15	14,5	22	70,4	79,2	20/30/40/50	1,2	4	120
04232-1512006X	electropolished	M6	18,1	9	21,5	15	14,5	22	70,4	79,2	20/30/40/50	1,2	4	120
04232-2512008X	electropolished	M8	27,1	11	33,3	24	18	28,5	96	108	25/30/40/50	1,5	8	350
04232-2512010X	electropolished	M10	27,1	11	33,3	24	18	28,5	96	108	25/30/40/50	1,5	8	350
04232-9512303X	blasted	M3	12	6	14,4	11,5	9	13	36,2	41,7	10/15/30	1	1,5	90
04232-9512304X	blasted	M4	12	6	14,4	11,5	9	13	36,2	41,7	10/15/30	1	1,5	90
04232-0512304X	blasted	M4	15,4	8	18	13	11,2	17	52,3	59,1	15/20/30	1	2,5	100
04232-0512305X	blasted	M5	15,4	8	18	13	11,2	17	52,3	59,1	20/30/40/50	1	2,5	100
04232-1512305X	blasted	M5	18,1	9	21,5	15	14,5	22	70,4	79,2	20/30/40/50	1,2	4	120
04232-1512306X	blasted	M6	18,1	9	21,5	15	14,5	22	70,4	79,2	20/30/40/50	1,2	4	120
04232-2512308X	blasted	M8	27,1	11	33,3	24	18	28,5	96	108	25/30/40/50	1,5	8	350
04232-2512310X	blasted	M10	27,1	11	33,3	24	18	28,5	96	108	25/30/40/50	1,5	8	350

## Cam levers

internal or external thread, stainless steel, thrust washer stainless steel



### Material:

Handle 1.4308 stainless steel.

Thrust washer 1.4034 stainless steel, hardened.

Hinge pin and stud 1.4305 stainless steel.

### Version:

Handle electropolished or blasted.

Thrust washer, hinge pin and screw bright.

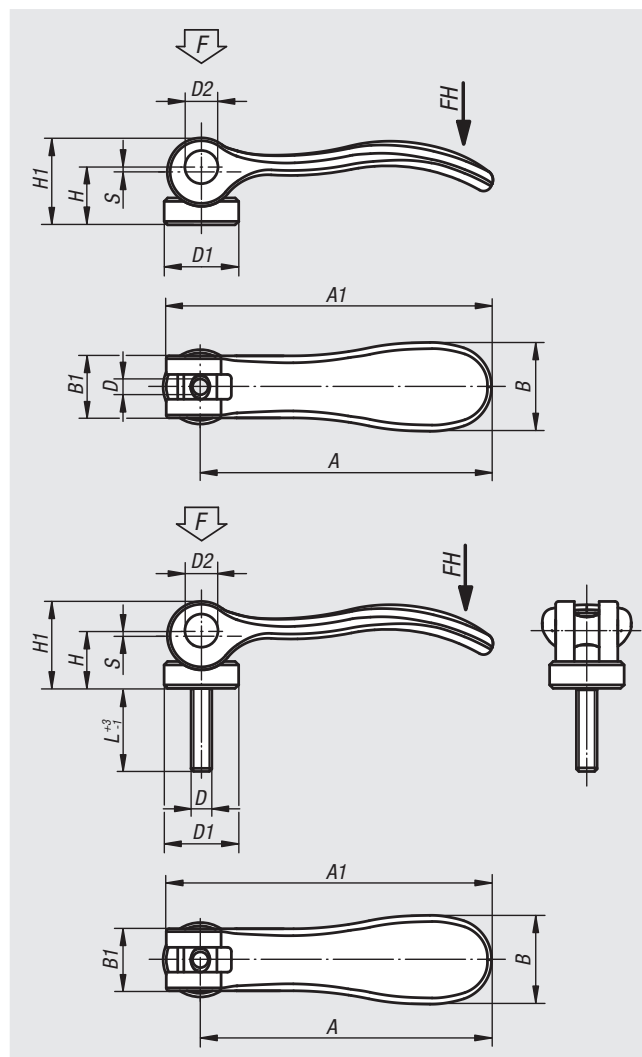
### Sample order:

nIm 04232-0541005X20 (include length L)

### Note:

The thrust washer face is lightly greased before delivery.

The grease is FDA conform and is suitable for use in the foodstuff and pharmaceutical industries.



### Cam levers, stainless steel, with internal thread, thrust washer stainless steel

Order No. electropolished	Order No. blasted	D	D1	D2	B	B1	H	H1	A	A1	Travel S	Clamping force F (kN)	Hand force FH N
04232-9541003	04232-9541303	M3	12	6	14,4	11,5	9	13,5	36,2	41,7	1	1,5	90
04232-9541004	04232-9541304	M4	12	6	14,4	11,5	9	13,5	36,2	41,7	1	1,5	90
04232-0541004	04232-0541304	M4	15,4	8	18	13	11,4	17,2	52,3	59,1	1	2,5	100
04232-0541005	04232-0541305	M5	15,4	8	18	13	11,4	17,2	52,3	59,1	1	2,5	100
04232-1541005	04232-1541305	M5	18	9	21,5	15	14,7	22	70,4	79,2	1,2	4	120
04232-1541006	04232-1541306	M6	18	9	21,5	15	14,7	22	70,4	79,2	1,2	4	120
04232-2541008	04232-2541308	M8	27	11	33,3	24	18,3	28,8	96	108	1,5	8	350

### Cam levers, stainless steel, with external thread, thrust washer stainless steel

Order No. electropolished	Order No. blasted	D	D1	D2	B	B1	H	H1	A	A1	L	Travel S	Clamping force F (kN)	Hand force FH N
04232-9541003X	04232-9541303X	M3	12	6	14,4	11,5	9	13,5	36,2	41,7	10/15/30	1	1,5	90
04232-9541004X	04232-9541304X	M4	12	6	14,4	11,5	9	13,5	36,2	41,7	10/15/30	1	1,5	90
04232-0541004X	04232-0541304X	M4	15,4	8	18	13	11,4	17,2	52,3	59,1	15/20/30	1	2,5	100
04232-0541005X	04232-0541305X	M5	15,4	8	18	13	11,4	17,2	52,3	59,1	20/30/40/50	1	2,5	100
04232-1541005X	04232-1541305X	M5	18	9	21,5	15	14,7	22	70,4	79,2	20/30/40/50	1,2	4	120
04232-1541006X	04232-1541306X	M6	18	9	21,5	15	14,7	22	70,4	79,2	20/30/40/50	1,2	4	120
04232-2541008X	04232-2541308X	M8	27	11	33,3	24	18,3	28,8	96	108	25/30/40/50	1,5	8	350
04232-2541010X	04232-2541310X	M10	27	11	33,3	24	18,3	28,8	96	108	25/30/40/50	1,5	8	350

## Cam levers with plastic handle

internal and external thread, steel or stainless steel



### Material:

Grip and thrust washer plastic PA 66 fibreglass reinforced.

Hinge pins stainless steel 1.4305.

Studs and washer steel grade 5.8 or stainless steel 1.4305.

### Version:

Grip black or traffic red RAL3020.

Thrust washer black.

Hinge pin bright.

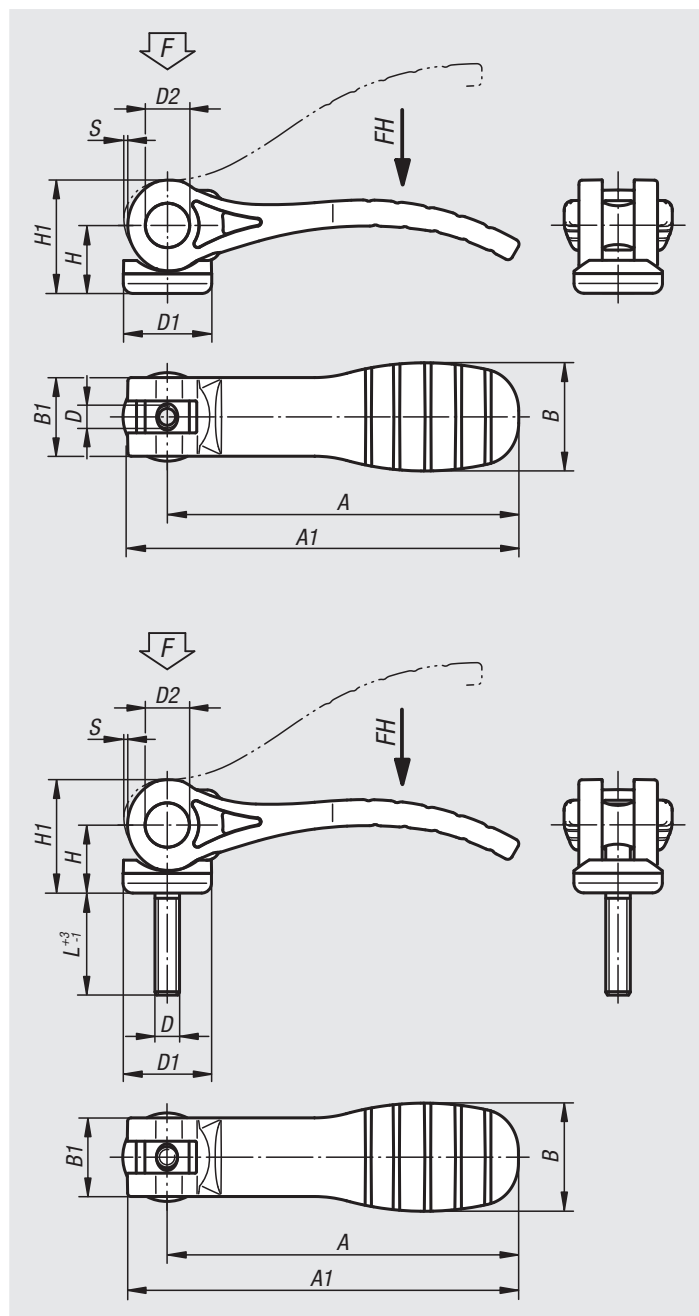
Stud and washer trivalent blue passivated or bright stainless steel.

### Sample order:

nIm 04232-1521105X20 (include length L)

### Note:

Plastics are subject to creeping under load (retardation), this can cause reduced clamping force.



### Cam levers with black plastic grip and internal thread

Order No. steel	Order No. stainless steel	D	D1	D2	B	B1	H	H1	A	A1	Travel S	Clamping force F (kN)	Hand force FH N
04232-1521105	04232-1531105	M5	18,1	9	22	16	14	23,4	71,5	79,6	1,15	2,5	125
04232-1521106	04232-1531106	M6	18,1	9	22	16	14	23,4	71,5	79,6	1,15	2,5	125
04232-2521108	04232-2531108	M8	27,1	11	33	24,2	16,2	27,7	100	110	1,5	5	170

### Cam levers with red plastic grip and internal thread

Order No. steel	Order No. stainless steel	D	D1	D2	B	B1	H	H1	A	A1	Travel S	Clamping force F (kN)	Hand force FH N
04232-15218405	04232-15318405	M5	18,1	9	22	16	14	23,4	71,5	79,6	1,15	2,5	125
04232-15218406	04232-15318406	M6	18,1	9	22	16	14	23,4	71,5	79,6	1,15	2,5	125
04232-25218408	04232-25318408	M8	27,1	11	33	24,2	16,2	27,7	100	110	1,5	5	170

# Cam levers with plastic handle

internal and external thread, steel or stainless steel

## Cam levers with black plastic grip and external thread

Order No. steel	Order No. stainless steel	D	D1	D2	B	B1	H	H1	A	A1	L	Travel S	Clamping force F (kN)	Hand force FH N
04232-1521105X	04232-1531105X	M5	18,1	9	22	16	14	23,4	71,5	79,6	20/30/40/50	1,15	2,5	125
04232-1521106X	04232-1531106X	M6	18,1	9	22	16	14	23,4	71,5	79,6	20/30/40/50	1,15	2,5	125
04232-2521108X	04232-2531108X	M8	27,1	11	33	24,2	16,2	27,7	100	110	25/30/40/50	1,5	5	170
04232-2521110X	04232-2531110X	M10	27,1	11	33	24,2	16,2	27,7	100	110	25/30/40/50	1,5	5	170

## Cam levers with red plastic grip and external thread

Order No. steel	Order No. stainless steel	D	D1	D2	B	B1	H	H1	A	A1	L	Travel S	Clamping force F (kN)	Hand force FH N
04232-15218405X	04232-15318405X	M5	18,1	9	22	16	14	23,4	71,5	79,6	20/30/40/50	1,15	2,5	125
04232-15218406X	04232-15318406X	M6	18,1	9	22	16	14	23,4	71,5	79,6	20/30/40/50	1,15	2,5	125
04232-25218408X	04232-25318408X	M8	27,1	11	33	24,2	16,2	27,7	100	110	25/30/40/50	1,5	5	170
04232-25218410X	04232-25318410X	M10	27,1	11	33	24,2	16,2	27,7	100	110	25/30/40/50	1,5	5	170