

Prisms, steel, for chain clamp sets



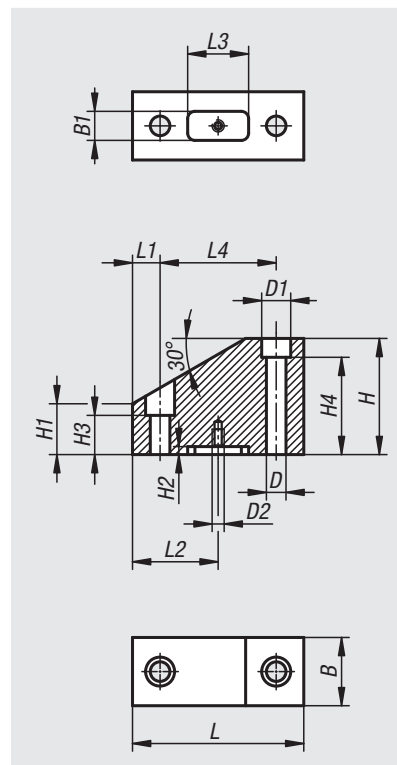
Material:
Carbon steel.

Version:
Black oxidised.

Sample order:
nlm 04211-09-11847080

Note:
Prisms for chain clamp sets enable flexible positioning of the workpiece. The prisms can be fastened to the machine table using T-slot nuts.

Accessories:
Nuts for T-slots DIN 508 enhanced, 07060.



Order No.	B	B1	D	D1	D2	H	H1	H2	H3	H4	L	L1	L2	L3	L4
04211-09-11847080	47	20	13,5	20	M6	80	35	5,5	27	67	118	19	59	42	80
04211-09-14847100	47	20	17,5	26	M6	100	44	5,5	33	33	148	24	74	44	100

01000
02000
03000
04000
05000
06000
07000
08000
09000
10000
12000