

Turnbuckles, steel, for chain clamp sets

**Material:**

Steel.

Sample order:

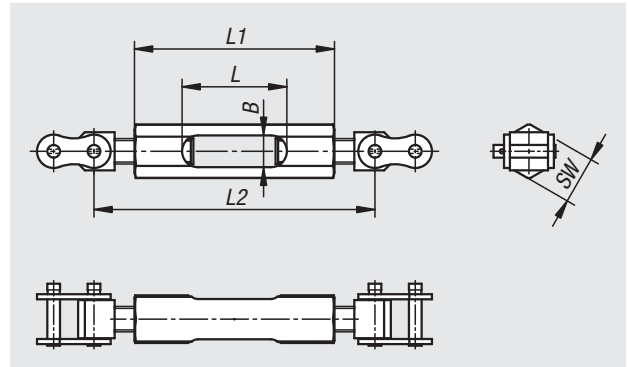
nlm 04211-06-15052

Note:

Steel turnbuckles for chain clamp sets are mounted between the chains. The turnbuckles are used to pre-tension the chain and remove any play, which is always greater with longer chains.

Accessories:

Steel roller chains for chain clamp sets 04211-03.



Order No.	B	L	L1	L2	SW	Clamping force max. kN
04211-06-15052	14	52	97	111-147	24	15
04211-06-40066	20	66	126	151-203	30	40