

Adjustable heel supports

for clamp strap assembly

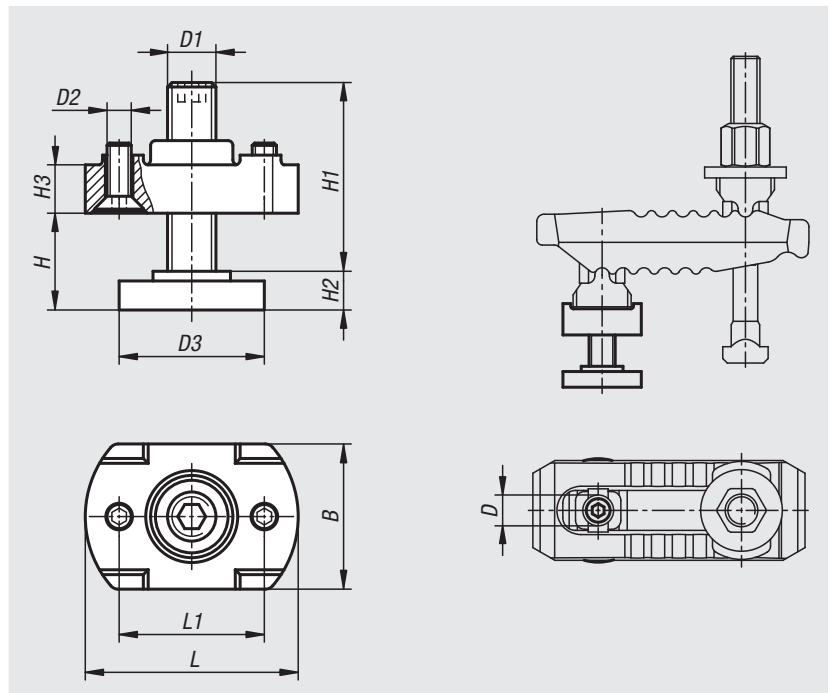


Material:
Carbon steel.

Version:
Body tempered and electro zinc-plated.
Support bolt tempered, grade 8.8.

Sample order:
nlm 04204-1039

Note:
These adjustable heel supports consist of support plate, support bolt and fastening screws for the strap heel support.
Adjustable heel supports are used to increase the clamping height of the clamp strap assemblies.



Order No.	B	D	D1	D2	D3	H clamping range	H1	H2	H3	L	L1
04204-1039	30	13	M10	M5	30	8-30	39	8	10	44	30
04204-1249	42	17	M12	M5	36	10-37	49	10	16	54	35
04204-1294	42	17	M12	M5	36	10-80	94	10	16	54	35
04204-1655	50	21	M16	M5	42	13-41	55	13	20	60	40
04204-1690	50	21	M16	M5	42	13-73	90	13	20	60	40
04204-2069	50	25	M20	M6	50	16-52	69	16	25	70	50
04204-20109	50	25	M20	M6	50	16-91	109	16	25	70	50