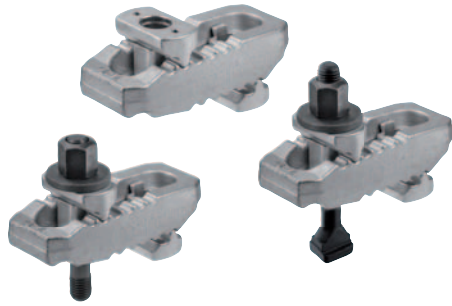


Clamp strap assemblies



Material:
Steel.

Version:

Form A: Tempered and electro zinc-plated.
Form B: Tempered and electro zinc-plated.
Complete with DIN 787 screw for T-slots, DIN 6340 washer and DIN 6330B nut.
Form C: Tempered and electro zinc-plated.
Complete with DIN 6379 stud, DIN 6340 washer and DIN 6330B nut.

Sample order:

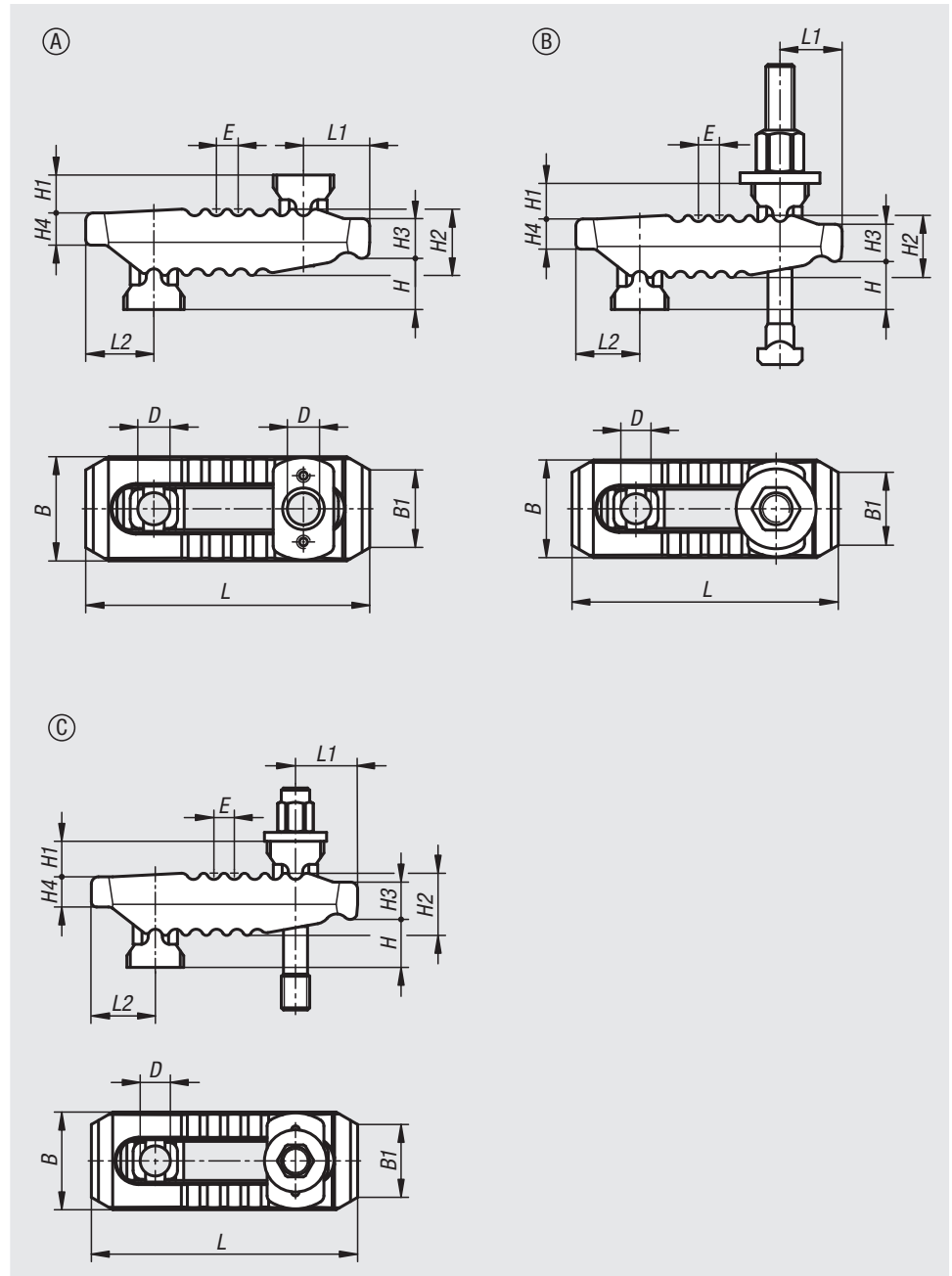
nlm 04203-113115

Note:

These clamp strap assemblies can be quickly and infinitely adapted to the clamping situation. The clamp straps have different heel types both sides enabling the best end to be selected depending on the specific application. These extremely versatile clamp straps are suitable for use by metal cutting or non-cutting machining and also for press and injection-moulding applications.

Accessories:

04204 adjustable heel supports



Clamp strap assemblies

Order No.	Form	B	B1	D	E	H clamping range	H1	H2	H3	H4	L	L1	L2	Slot width	Clamping force kN
04203-113115	A	44	30	13	11	0-55	18	27	17	12	115	25	30	10-12-14	30
04203-117150	A	55	41	17	12	0-70	20	36	21	17	150	35	36	12-14-16-18	40
04203-121187	A	62	30	21	14	0-80	30	42	27	20	187	44	44	16-18-20-22	60
04203-125235	A	70	30	25	17	0-100	31	51	34	24	235	60	47	20-22-24-28	75
04203-125285	A	73	30	25	17	0-100	35	56	35	24	285	62	51	20-22-24-28	75

Order No. with t-slot nut	Form	B	B1	D	E	H clamping range	H1	H2	H3	H4	L	L1	L2	Slot width	Fastening screw(s)	Clamping force kN
04203-210115100	B	44	30	13	11	0-40	18	27	17	12	115	25	30	10	M10X100	25
04203-212115125	B	44	30	13	11	0-55	18	27	17	12	115	25	30	12	M12X125	30
04203-214115125	B	44	30	13	11	0-55	18	27	17	12	115	25	30	14	M12X125	30
04203-212150160	B	55	41	17	12	0-70	20	36	21	17	150	35	36	12	M12X160	35
04203-214150160	B	55	41	17	12	0-70	20	36	21	17	150	35	36	14	M12X160	35
04203-216150160	B	55	41	17	12	0-70	20	36	21	17	150	35	36	16	M16X160	40
04203-218150160	B	55	41	17	12	0-70	20	36	21	17	150	35	36	18	M16X160	40
04203-216187200	B	62	30	21	14	0-80	30	42	27	20	187	44	44	16	M16X200	55
04203-218187200	B	62	30	21	14	0-80	30	42	27	20	187	44	44	18	M16X200	55
04203-220187200	B	62	30	21	14	0-80	30	42	27	20	187	44	44	20	M20X200	60
04203-222187200	B	62	30	21	14	0-80	30	42	27	20	187	44	44	22	M20X200	60
04203-220235250	B	70	30	25	17	0-100	31	51	34	24	235	60	47	20	M20X250	70
04203-222235250	B	70	30	25	17	0-100	31	51	34	24	235	60	47	22	M20X250	70
04203-224235250	B	70	30	25	17	0-100	31	51	34	24	235	60	47	24	M24X250	75
04203-228235250	B	70	30	25	17	0-100	31	51	34	24	235	60	47	28	M24X250	75

Order No. with stud	Form	B	B1	D	E	H clamping range	H1	H2	H3	H4	L	L1	L2	Fastening screw(s)	Clamping force kN
04203-312115100	C	44	30	13	11	0-30	18	27	17	12	115	25	30	M12X100	30
04203-312115125	C	44	30	13	11	0-55	18	27	17	12	115	25	30	M12X125	30
04203-312150125	C	55	41	17	12	0-50	20	36	21	17	150	35	36	M12X125	40
04203-312150160	C	55	41	17	12	0-70	20	36	21	17	150	35	36	M12X160	40
04203-316150125	C	55	41	17	12	0-40	20	36	21	17	150	35	36	M16X125	40
04203-316150160	C	55	41	17	12	0-70	20	36	21	17	150	35	36	M16X160	40
04203-320187160	C	62	30	21	14	0-40	30	42	27	20	187	44	44	M20X160	60
04203-320187200	C	62	30	21	14	0-80	30	42	27	20	187	44	44	M20X200	60
04203-320235200	C	70	30	25	17	0-70	31	51	34	24	235	60	47	M20X200	75
04203-320235250	C	70	30	25	17	0-100	31	51	34	24	235	60	47	M20X250	75
04203-324235200	C	70	30	25	17	0-50	31	51	34	24	235	60	47	M24X200	75
04203-324235250	C	70	30	25	17	0-100	31	51	34	24	235	60	47	M24X250	75