

Clamp strap modules

compact

**Material:**

Base, ductile iron.

Clamp strap and clamping screw carbon steel.

Version:

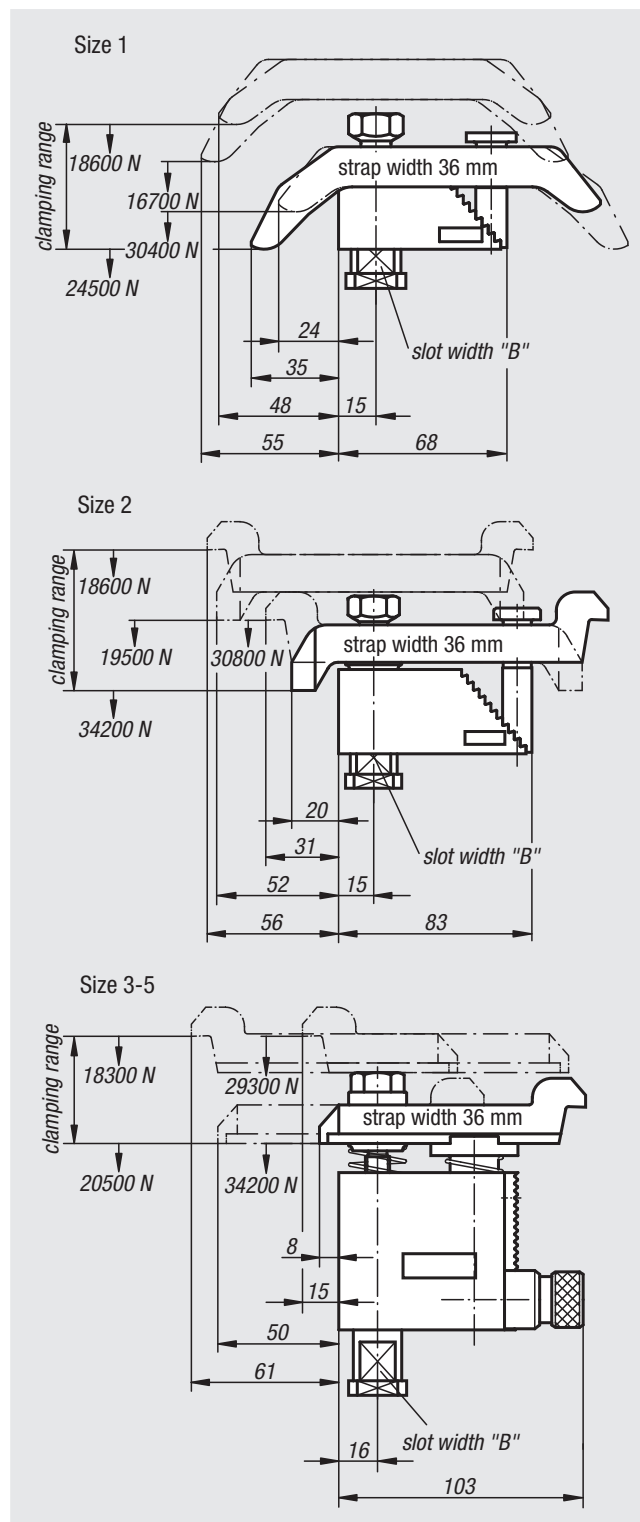
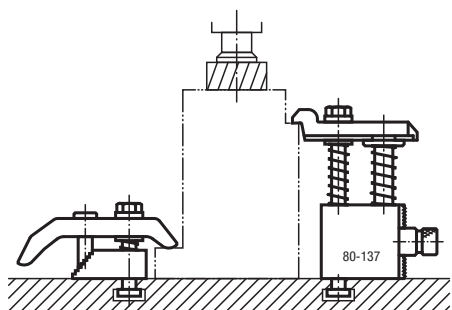
Black oxidised.

Sample order:

nlm 04200-40X16 (include dimension B)

Note:

These clamp strap modules are universal, flexible clamps constructed from individual components building a compact unit. There are no loose parts which first have to be altered for a clamping operation. The compact design allows these clamps to be placed close to the workpiece enabling the full area of the machine table to be used.



Order No.	Size	Clamp range	Slot width B DIN 650
04200-10X	1	0-35	12/14/16/18
04200-20X	2	25-85	12/14/16/18
04200-30X	3	80-137	12/14/16/18
04200-40X	4	125-224	12/14/16/18
04200-50X	5	160-300	12/14/16/18